

Parts Manual

MR770

Reel Mower



Revised 03/28/24
09.20094 Rev. 02



500 Venture Drive
Orrville Oh 44667
www.ventrac.com

Serial Number Description



Notes

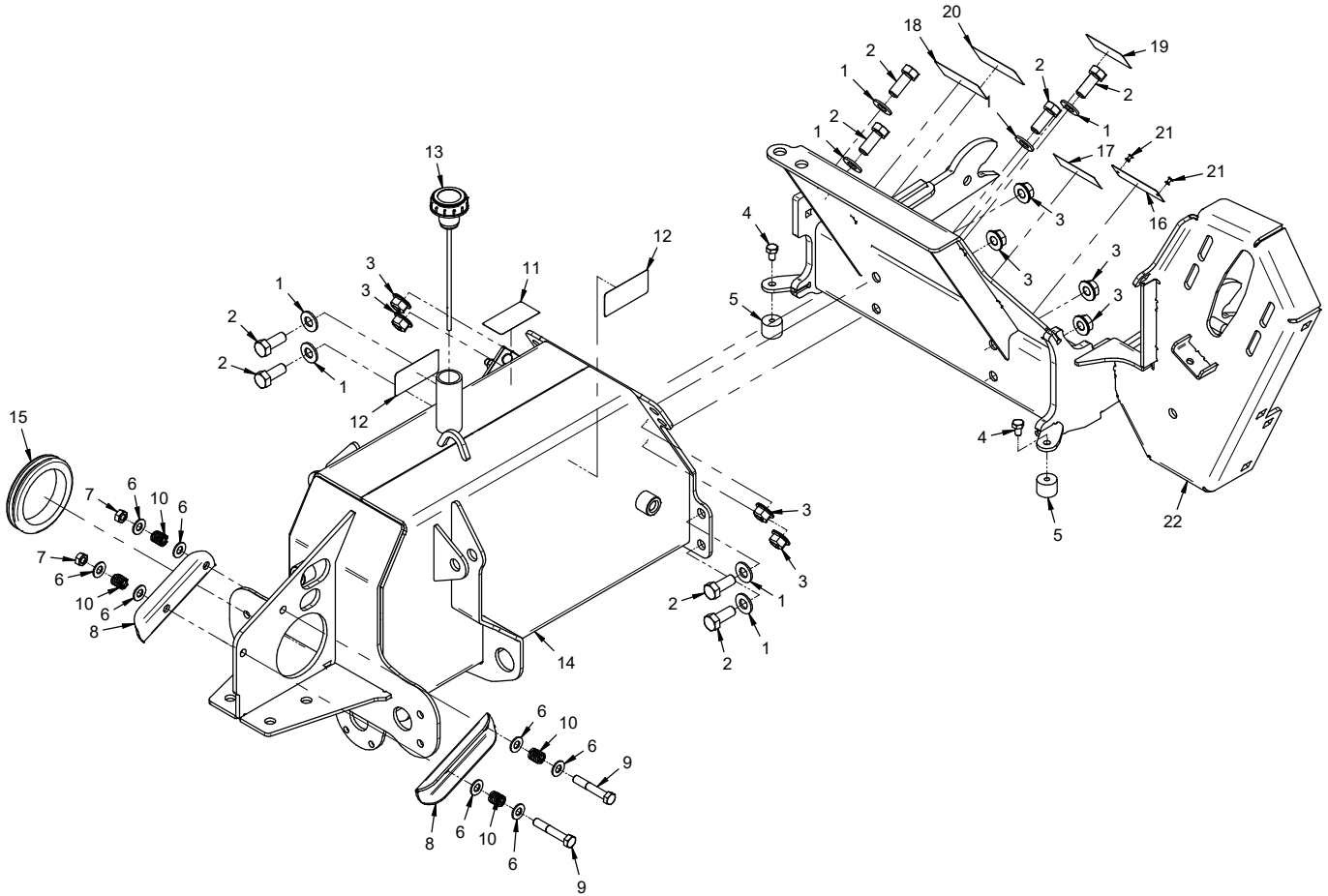
- If any component requires replacement, use only original Ventrac replacement parts.
- When ordering new components, be sure to order all required safety decals. All current safety decals must be affixed to the replacement components prior to installation of the component.

TABLE OF CONTENTS

MR770 FRAME	PAGE 4
Oil Tank Frame & Hitch Frame	4
Lift Arms & Front Reel Mount	6
Hydraulic Drive	8
Hydraulic Motors & Hoses.....	10
Lift Arm Hydraulic Hoses.....	12
TT-03189 CUTTING UNITS	PAGE 14
Frame Assembly	14
Reel & Bedbar Assembly.....	16
EdgeSeries 27IN Fairway, 8 Blade, Low Drag, Radial Reel Assembly #TT-137-8470	18
Roller Assembly	20
Long Rear Roller Assembly (3IN DIA)(27IN) #TT-137-6120	22
Wiehle Roller Assembly (27IN) #TT-117-0960	24
Shield Assembly.....	26
Optional Tool Assembly	28
TT-03243 REAR BRUSH KIT	PAGE 30
Drive Assembly	30
Roller Brush Assembly.....	32
Plate Assembly.....	34
TT-03244 END WEIGHT KIT	PAGE 36
End Weight Kit	36
ACCESSORIES	PAGE 38
Optional Short Rear Roller Assembly (3IN DIA) (27IN) #TT-137-6118.....	38
Optional Full Front Roller Assembly (27IN) #TT-137-6121	40
Optional Shouldered Wiehle Front Roller Assembly (27IN) #TT-119-0630.....	42
Rear Roller Adjustment Kit #TT-125-0570	44
Rear Roller Scraper Kit (27IN) #TT-114-9368.....	46
Full Front Roller Scraper (27IN) #TT-114-9386-03	48
Shouldered Wiehle Roller Scraper (27IN) #TT-114-9381-03.....	50
Wiehle Roller Scraper (27IN) #TT-114-9372-03.....	52

MR770 FRAME

ILLUSTRATED DRAWING Oil Tank Frame & Hitch Frame



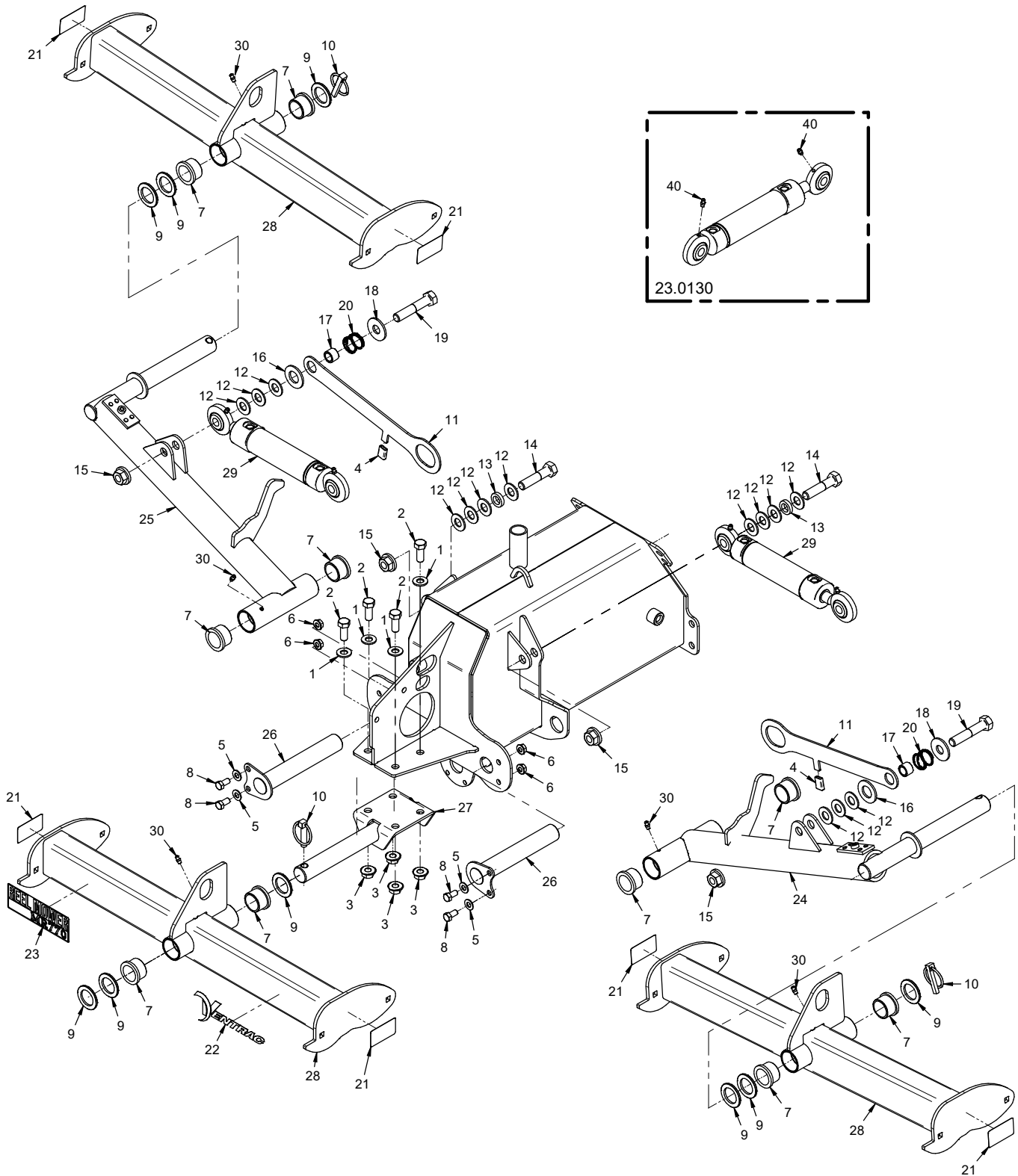
MR770 FRAME

Oil Tank Frame & Hitch Frame

REF.	PART NO.	DESCRIPTION	QTY.
1	95.08	Washer, Flat 1/2 SAE	8
2	90.0810	Bolt, 1/2-13 USS x 1-1/4	8
3	99.E0103	Nut, Locking Flange 1/2-13	8
4	90.0504	Bolt, 5/16-18 USS x 1/2IN	2
5	05.0110	Bumper, Neoprene 1IN Dia	2
6	95.06	Washer, Flat 3/8 SAE	8
7	99.A06	Locknut, Stover 3/8-16 USS	2
8	64.1390	Bracket, Front Reel Leveler	2
9	90.0618	Bolt, 3/8-16 USS x 2-1/4	2
10	41.0039	Spring, Comp. 9/16 OD X 5/8	4
11	00.0374	Decal, Hot Surface	1
12	00.0621	Decal, High Pressure Fluid Hazard	2
13	23.0127	Dipstick, Asm 6-3/4IN	1
14	MR-6000	Frame, Oil Tank MR	1
15	05.0208	Grommet	1
16	N/A	Plate, Ventrac Serial Number	1
17	00.0770	Decal, Built in the USA	1
18	00.0619	Decal, Read Operator's Manual	1
19	00.0631	Decal, Finger/Hand Entanglement	1
20	00.0632	Decal, Moving Parts Hazard	1
21	04.0029	Rivet, Pop 1/8IN X 1/4IN SS	2
22	MR-6003	Frame, Hitch MR	1

MR770 FRAME

ILLUSTRATED DRAWING Lift Arms & Front Reel Mount



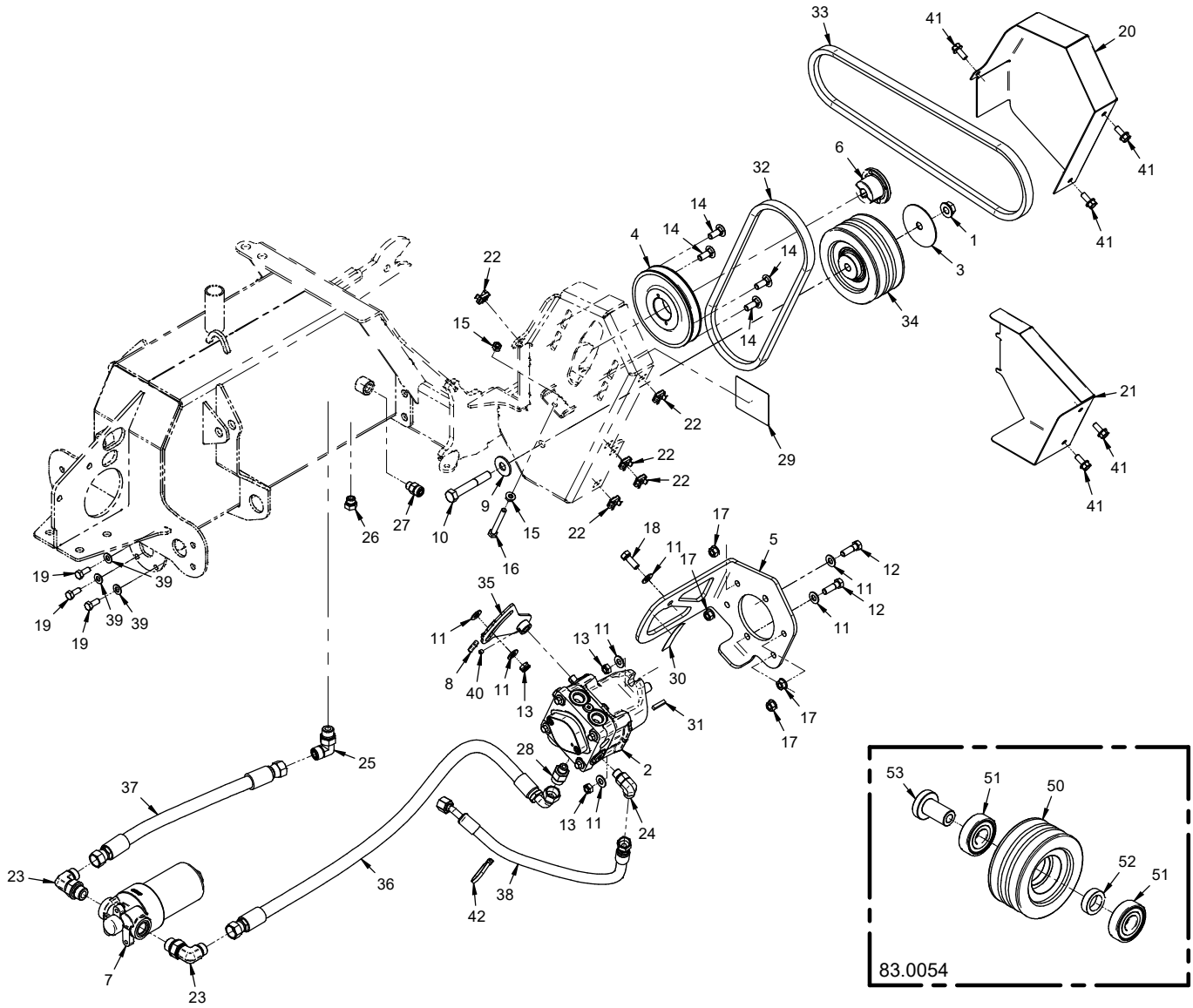
MR770 FRAME

Lift Arms & Front Reel Mount

REF.	PART NO.	DESCRIPTION	QTY.
1	95.08	Washer, Flat 1/2 SAE	4
2	90.0810	Bolt, 1/2-13 USS x 1-1/4	4
3	99.E0103	Nut, Locking Flange 1/2-13	4
4	06.0044	Cap, Plastic 1/8 x 1/2 x 7/8	2
5	95.06	Washer, Flat 3/8 SAE	4
6	99.SF06	Nut, SRF 3/8-16 USS	4
7	85.B0060	Bushing, 1-1/4 ID x 1-1/2 OD 1	10
8	90.0606	Bolt, 3/8-16 USS x 3/4	4
9	99.B0024-2	Washer, Mach 1-1/4 x 1-7/8 10 GA	9
10	03.0005	Pin, Linch	3
11	MR-1331	Link, Reel Lift Arm Lock	2
12	95.10	Washer, Flat 5/8 SAE	14
13	MR-1338	Spacer	2
14	90.1022	Bolt, 5/8-11 USS x 2-3/4	2
15	99.E0094	Locknut, 5/8-11 Flanged Stover	4
16	95.14	Washer, Flat 7/8 SAE	2
17	64.1391	Bushing, .635 X 7/8 X 5/8 Long	2
18	94.10	Washer, Flat 5/8 USS	2
19	90.1026	Bolt, 5/8-11 UNC x 3-1/4	2
20	41.0095	Spring, Comp 1.08 Id X .84 Lg	2
21	00.0364	Decal, Warning Pinch Point	6
22	00.0672	Decal, Ventrac Black	1
23	00.0734	Decal, MR770	1
24	MR-6002	Frame, Left Lift Arm Mr740	1
25	MR-6006	Frame, Right Lift Arm	1
26	MR-6008	Pin, Lift Arm Pivot	2
27	64.1388	Mount, Front Pin Reel Mr740	1
28	MR-6005	Frame, Reel Head Carrier MR740	3
29	23.0130	Cylinder, 1-1/2IN X 5IN	2
30	29.GF0001	Grease Ftg, 1/4 SAE ST	5
40	29.GF0001	Grease Ftg, 1/4 SAE ST	2

MR770 FRAME

ILLUSTRATED DRAWING Hydraulic Drive



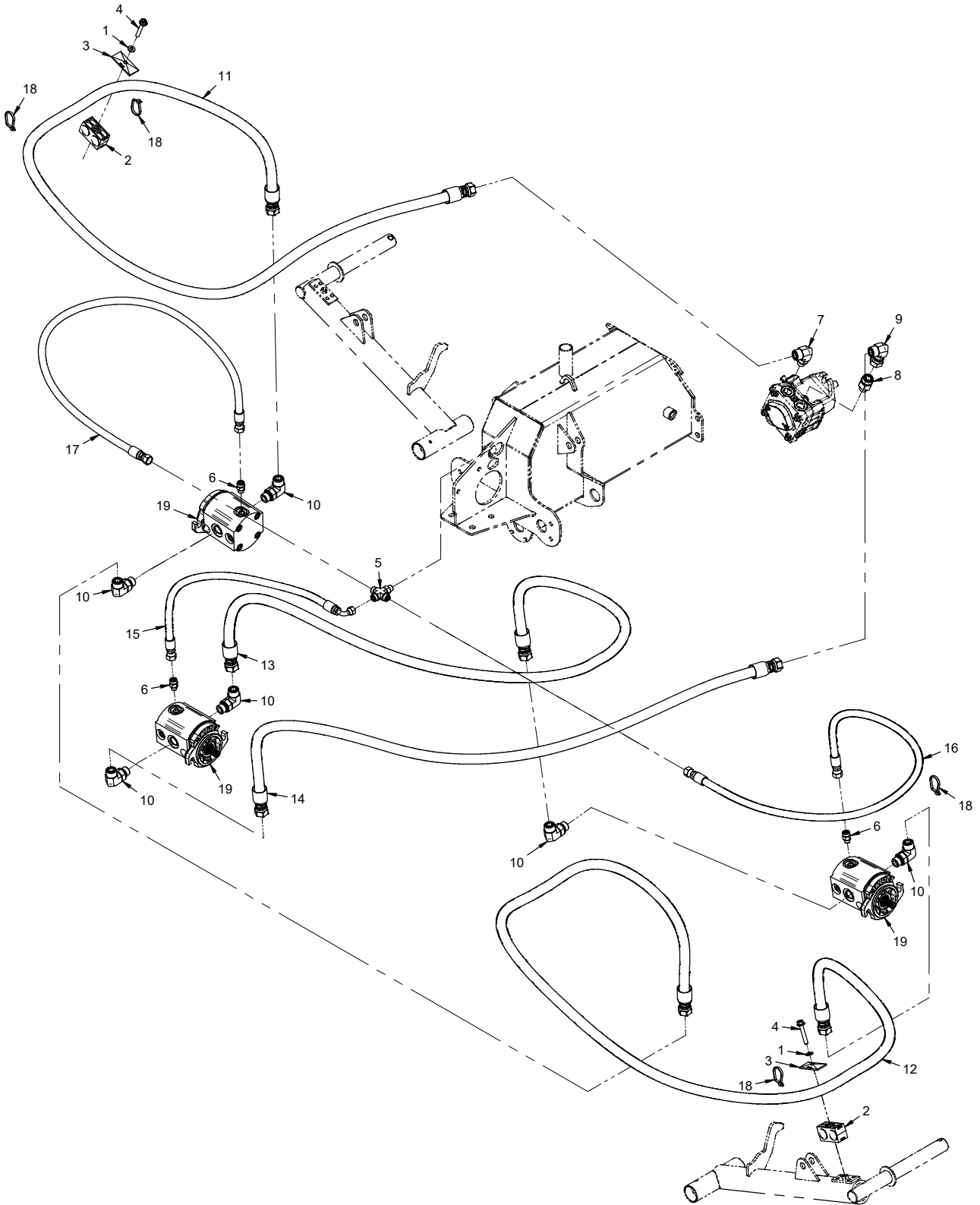
MR770 FRAME

Hydraulic Drive

REF.	PART NO.	DESCRIPTION	QTY.
1	99.E0103	.Nut, Locking Flange 1/2-13	1
2	21.0095	.Pump, Hyd. Hydrogear	1
3	60.1279	.Cover, Pulley	1
4	83.BK55H	.Pulley, 5.5IN H-Bushing	1
5	MR-1314	.MR Reel Mower	1
6	83.H15M	.Bushing, 15mm H-Bushing	1
7	21.0137	.Filter, HYD ASM 25 Micron	1
8	06.0044	.Cap, Plastic 1/8 x 1/2 x 7/8	1
9	94.08	.Washer, Flat 1/2 USS	1
10	90.0826	.Bolt, 1/2-13 USS x 3-1/4	1
11	95.06	.Washer, Flat 3/8 SAE	7
12	90.0610	.Bolt, 3/8-16 USS x 1-1/4	2
13	99.A06	.Locknut, Stover 3/8-16 USS	3
14	97.0608	.Bolt, Carriage 3/8-16 x 1	4
15	99.SF05	.Nut, SRF 5/16-18 USS	2
16	90.0520-2	.Bolt, 5/16-18 x 2-1/2 All Thrd	1
17	99.SF06	.Nut, SRF 3/8-16 USS	4
18	90.0608	.Bolt, 3/8-16 USS x 1	1
19	99.M0005	.Bolt, M8 X 1.25 P X 20MM	3
20	MR-1316	.Cover, Pump Belt	1
21	MR-1327	.Cover, Pulley Lower	1
22	99.E0154	.Nut, Cage 5/16-18 (.177 - .197IN)	5
23	25.FF6801-08-10	.Fitting, 90 Elbow 08MFF x 10MB	2
24	25.FF6801-06-06	.Fitting, 90 Elbow - 6MFF X 6MB	1
25	25.FF6801-08-08	.Fitting, 90 Elbow 8MFF x 8MB	1
26	25.6408-06	.Fitting, O-Ring Plug 3/8	1
27	25.FF6400-06-06	.Fitting, Connector -06MFF x -06MB	1
28	25.FF6400-08-06	.Fitting, Connector 8MFF x 6MB	1
29	00.0625	.Decal, Shield Missing	1
30	00.0743	.Decal, Reel Speed	1
31	85.K508	.Key, 5mm Sq x 1IN	1
32	81.B033	.Belt, B33R	1
33	81.B047	.Belt, B47	1
34	83.0054	.Pulley, Idler 2 Groove Asm	1
35	MR-6007	.Lever, Reel Speed Control	1
36	20.0438	.Hose, 1/2 x 30.00 SAE 100R17	1
37	20.0437	.Hose, 1/2 x 15.50 SAE 100R17	1
38	20.0433	.Hose, 3/8 x 19.00 SAE 100R17	1
39	95.05	.Washer, Flat 5/16 SAE	3
40	85.SS23	.Set Screw, M6-1.0 X 10MM ZP	1
41	99.SF0506-1	.Bolt, SMF 5/16-18 USS x 3/4	5
42	30.0204	.Tyton Tie, #50 .190 x 2	1
50	61-20009	.Pulley, Idler 2 Groove	1
51	55.0064	.Bearing, Ball 25 MM x 62 MM	2
52	85.B0085	.Bushing, Bearing Spacer	1
53	85.B0084	.Bushing, Drive Pulley	1

MR770 FRAME

ILLUSTRATED DRAWING Hydraulic Motors & Hoses



MR770 FRAME

Hydraulic Motors & Hoses

REF.	PART NO.	DESCRIPTION	QTY.
1	95.05	Washer, Flat 5/16 SAE	2
2	44.0319	Pipe Clamps Twin Series DIN 3015, Clamp Body	2
3	44.0249	Pipe Clamps Twin Series DIN 3015, Cover Plate GD	2
4	99.SF0516-1	Bolt, SMF 5/16-18 x 2	2
5	25.FF2650-SPOR-06	Fitting, Cross 6MB X 6 MFF	1
6	25.FF6400-06-06	Fitting, Connector -06MFF x -06MB	3
7	25.FF6801-10-08	Fitting, 90 Elbow -10MF x -08MB	1
8	25.FF6400-10-08	Fitting, Connector -10MF x -08MB	1
9	25.FF6500-10-10	Fitting, 90 Elbow -10MF x -10FF	1
10	25.FF6801-10-10	Fitting, 90 Elbow -10MF x -10MB	6
11	20.0426	Hose, 5/8 x 86.00 SAE 100R17	1
12	20.0427	Hose, 5/8 x 112.00 SAE 100R17	1
13	20.0428	Hose, 5/8 x 83.00 SAE 100R17	1
14	20.0429	Hose, 5/8 x 64.00 SAE 100R17	1
15	20.0432	Hose, 3/8 x 27.00 SAE 100R17	1
16	20.0430	Hose, 3/8 x 58.00 SAE 100R17	1
17	20.0431	Hose, 3/8 x 54.00 SAE 100R17	1
18	30.0204	Tyton Tie, #50 .190 x 12IN	4
19	21.0176	Motor, Hyd Casappa 26.5cc	3

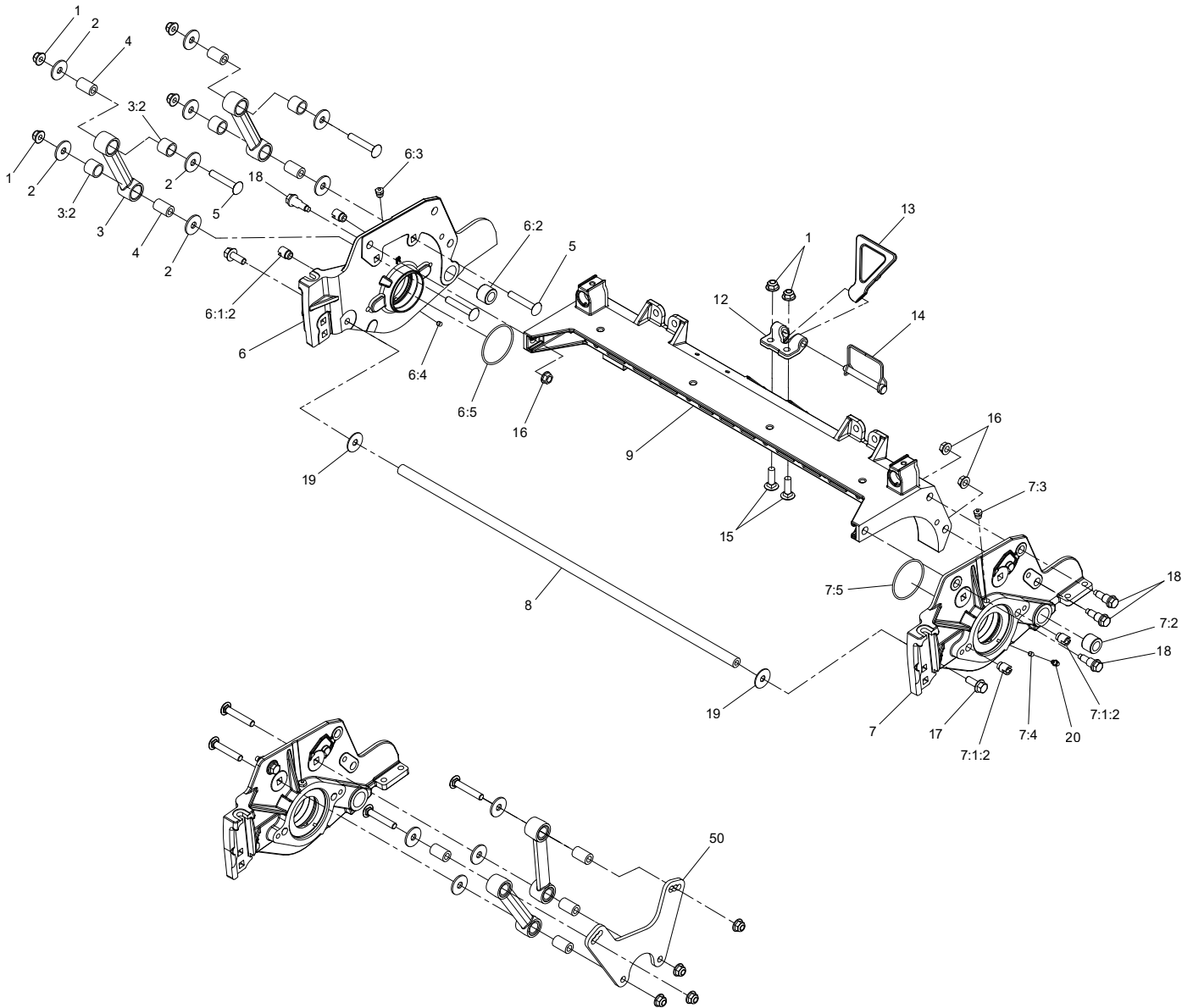
MR770 FRAME

Lift Arm Hydraulic Hoses

REF.	PART NO.	DESCRIPTION	QTY.
1	25.FF6801-06-06	Fitting, 90 Elbow - 6MFF X 6MB	2
2	25.FF6804-6-6-6	Fitting, Tee 6MB X 6MFF X 6MFF	2
3	23.0104	Coupler, Quick Male 1/4	2
4	05.0116	Washer, .544 ID x .817 x .14 Red	1
5	05.0117	Washer, .544 ID x .817 x .14 Yel	1
6	20.0436	Hose, 1/4 x 63.00 SAE 100R17	1
7	20.0436	Hose, 1/4 x 63.00 SAE 100R17	1
8	20.0434	Hose, 1/4 x 18.00 SAE 100R17	1
9	20.0435	Hose, 1/4 x 30.00 SAE 100R17	1
10	30.0204	Tyton Tie, #50 .190 x 12IN	1
11	97.0520	Bolt, Carriage 5/16-18 x 2 1/2	1
12	99.E0102	Nut, Locking Flange 5/16-18	1
13	44.0256	Clamp, Hyd Hose 12.7mm ID 2 Cavity (Set of 2)	1
14	44.0229	Cover Plate, Group 2D (2 Cavity)	1

TT-03189 CUTTING UNITS

ILLUSTRATED DRAWING Frame Assembly



TT-03189 CUTTING UNITS

Frame Assembly

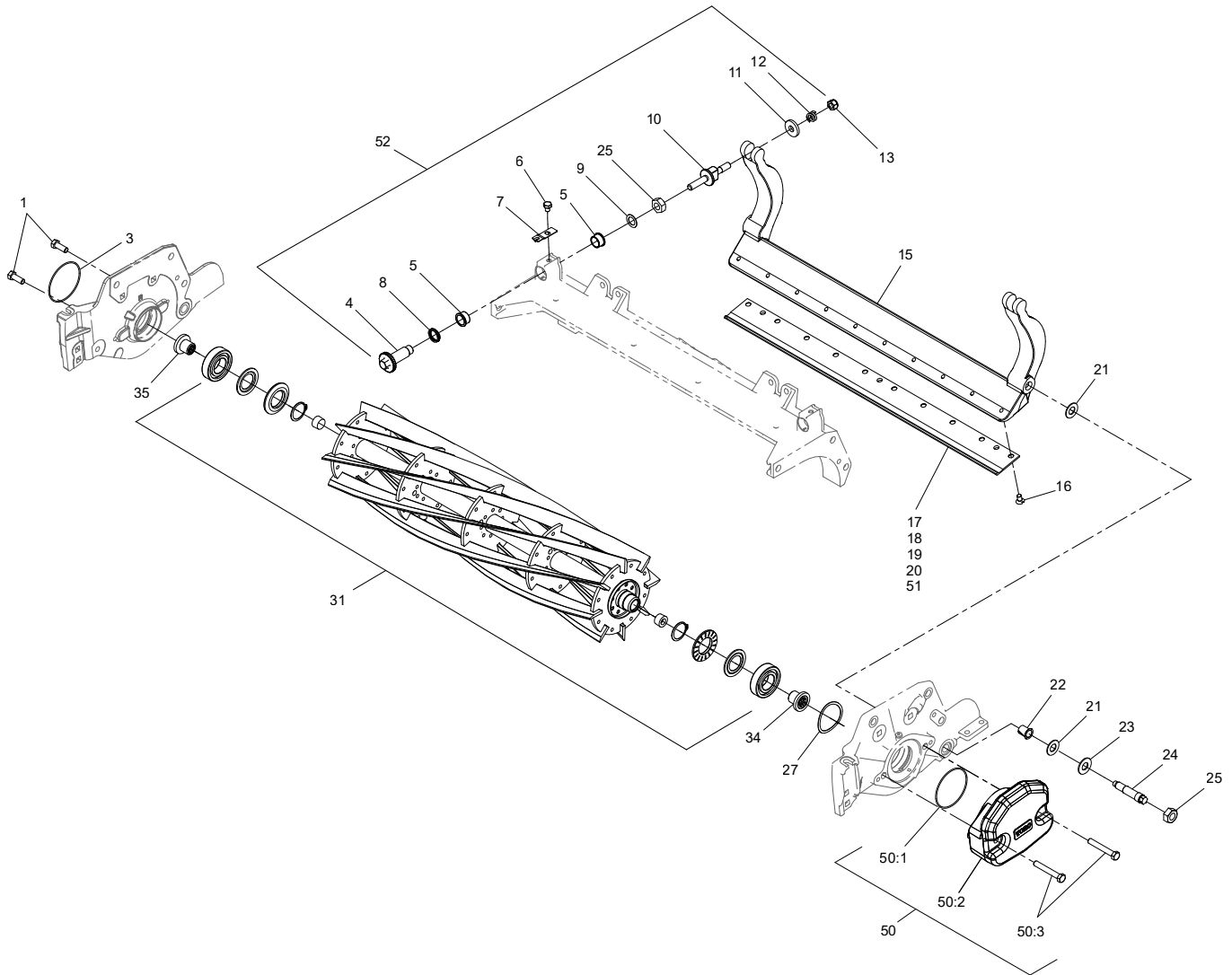
REF.	PART NO.	DESCRIPTION	QTY.
1	TT-104-8301	Nut - Hex Flange, NI, 3/8-16	10
2	TT-93-8806	Washer-Hardened	16
3	TT-16-9759	Link ASM	4
3:2	TT-94-8945	Bushing, 0.75 x 0.878 x 0.687	2
4	TT-93-6981	Spacer, 3/8 x 11/16 x 1.10	8
5	TT-3231-40	Bolt-CARR, 3/8-16 x 2-1/4	8
6	TT-137-5979	Side Plate-7IN LD Trim RH ASM	1
6:1:2	TT-127-7149	Insert-Threaded, Side Plate	2
6:2	TT-106-9618	Bushing-Rubber, 0.75 x 1.00 x 0.61	1
6:3	TT-302-39	Fitting-Plug	1
6:4	TT-3245-35	Screw-Set, HSH	1
6:5	TT-117-8177	O-Ring	1
7	TT-137-5976	Side Plate-7IN LD Trim LH ASM	1
7:1:2	TT-127-7149	Insert-Threaded, Side Plate	2
7:2	TT-106-9618	Bushing-Rubber, 0.75 x 1.00 x 0.61	1
7:3	TT-302-39	Fitting-Plug	1
7:4	TT-3245-35	Screw-Set, HSH	1
7:5	TT-117-8177	O-Ring	1
8	TT-112-8936	Tube-Support	1
9	TT-112-8935	Frame-Center	1
12	TT-110-4058	Bracket-Chain	1
13*	TT-119-8010-03	Kickstand (Optional Equipment)	1
14	TT-107-7400	Pin-Lynch	1
15	TT-3231-25	Bolt, CARR	2
16	TT-3290-357	Nut-HHF, Whiz, 3/8-16	6
17	TT-3234-11	Screw-HHF, .375-16 x 1.00, GR5	2
18	TT-107-2979	Bolt-Shoulder	6
19	TT-130-8094	Washer-Plain, 3/8 x 1.25 x 16GA	2
20	TT-302-5	Fitting-Grease**	1
50*	TT-140-5515-03	Plate-Fixed Cu [black] (Optional Equipment)	1

* Optional Equipment

** Install Only On Reel Motor Side (Replaces Item 6:4 Or 7:4)

TT-03189 CUTTING UNITS

ILLUSTRATED DRAWING Reel & Bedbar Assembly



TT-03189 CUTTING UNITS

Reel & Bedbar Assembly

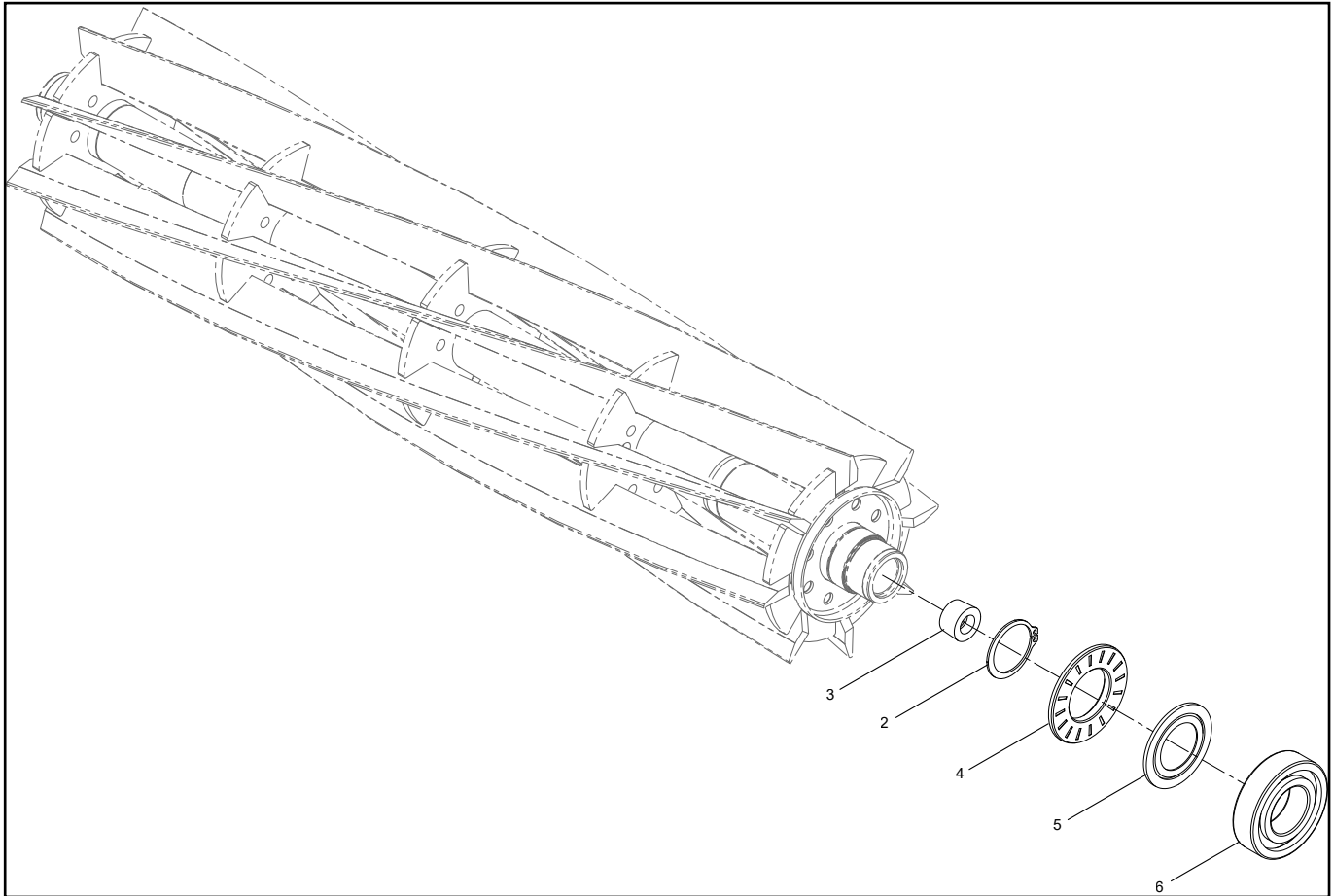
REF.	PART NO.	DESCRIPTION	QTY.
1	TT-323-6	Screw-HH, .375-16 x 1.00, GR5	2
3	TT-112-6967	O-Ring	1
4	TT-120-5118	Shaft-Adjuster	2
5	TT-106-5344	Bushing-Flange, Keyed	4
6	TT-119-4067	Screw-HH, .312-18 x .375	2
7	TT-99-2097	Detent	2
8	TT-120-5116	Washer-Wave	2
9	TT-108-0015	Washer, Flat	2
10	TT-137-6130	Screw-Adjuster, Bedbar	2
11	TT-119-4155	Washer-Hardened	2
12	TT-120-5120	Spring-Compression	2
13	TT-119-4039	Nut-Hex, 7/16-14	2
15	TT-112-8908-01	Bedbar	1
16	TT-119-4151	Screw-Bedknife	10
17	TT-114-9388	Bedknife-STD	1
18*	TT-112-8910	Bedknife-Edgemax (Optional Equipment)	1
19*	TT-114-9390	Bedknife-HD (Optional Equipment)	1
20*	TT-120-1641	Bedknife-Low HOC EXT (Optional Equipment)	1
21	TT-61-1950	Washer-Plastic	4
22	TT-56-9520	Bushing-Flanged	2
23	TT-69-8980	Washer	2
24	TT-106-9623	Bolt-Bedbar	2
25	TT-3296-33	Nut-Lock, NI, .625-18	4
27	TT-115-5258	Spring-Wire, Flat	1
31	TT-137-8470	EdgeSeries+ Fairway Reel, (27IN) 8 Bld LD (Rr)	1
34	TT-127-7111	Insert-Threaded, 7 Inch (LH)	1
35	TT-127-7109	Insert-Threaded, 7 Inch (RH)	1
45*	TT-120-7230	Dual Point Adjustment Maintenance Kit (Not Illustrated) (Optional Equipment)	1
50*	TT-133-8260	Weight Kit (Cutting Unit) (Optional Equipment)	1
50:1	TT-112-6967	O-Ring	3
50:2	TT-119-0614-01	Weight-End	3
50:3	TT-323-12	Screw-HH	6
51*	TT-137-6095	Bedknife-Edgemax (Optional Equipment)	1
52	TT-120-7230	Dual Point Adjustment Maintenance Kit	1

* Optional Equipment

TT-03189 CUTTING UNITS

ILLUSTRATED DRAWING

EdgeSeries 27IN Fairway, 8 Blade, Low Drag, Reel Assembly #TT-137-8470



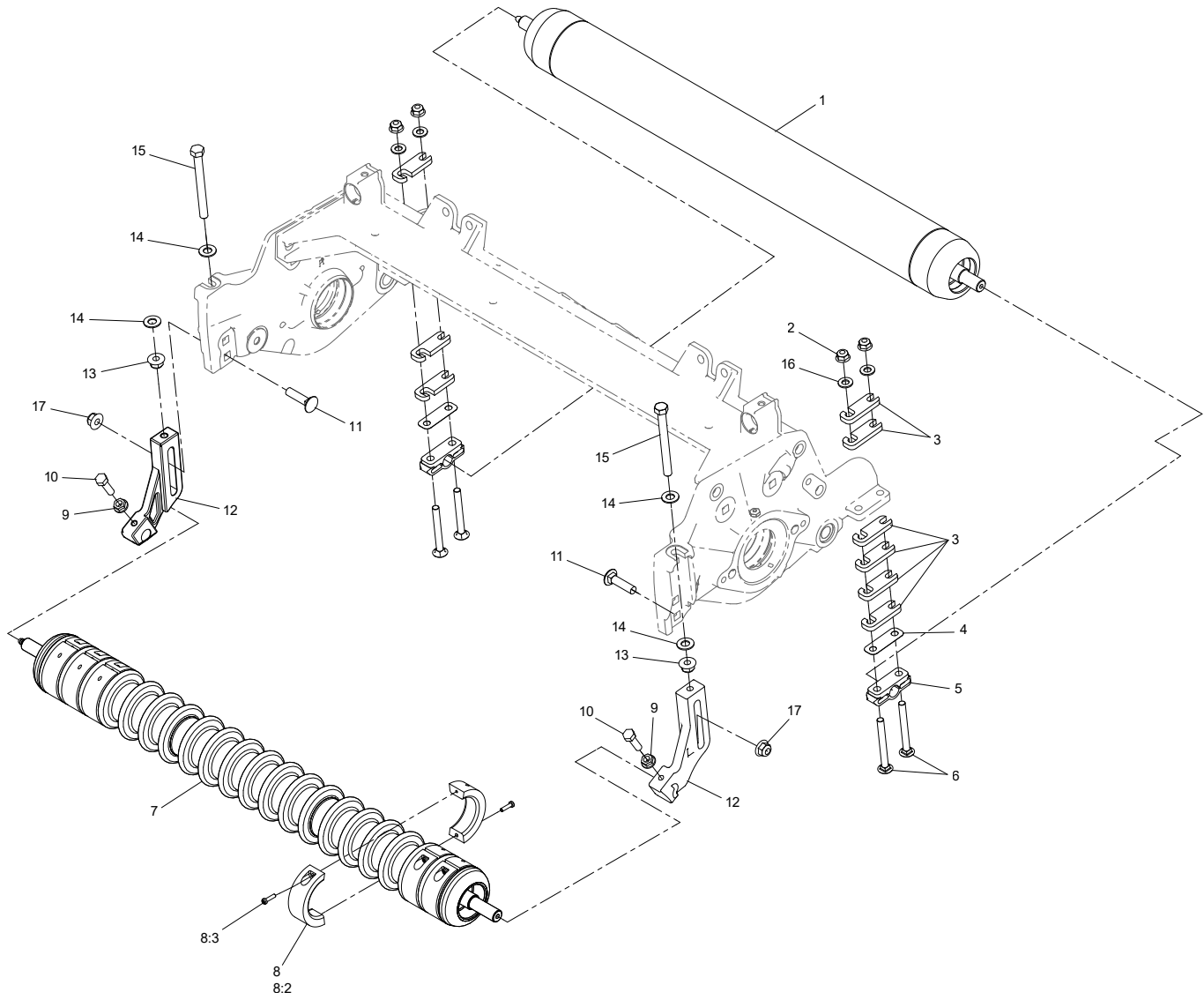
TT-03189 CUTTING UNITS

EdgeSeries 27IN Fairway, 8 Blade, Low Drag, Reel #TT-137-8470

REF.	PART NO.	DESCRIPTION	QTY.
2	TT-92-2601	Ring-Retaining	2
3	TT-127-7118	Plug-Shaft, Reel	2
4	TT-127-4284	Washer-Special	2
5	TT-115-3299	Seal-Flocked	2
6	TT-140-5510	Bearing-Sealed, Stainless	2

TT-03189 CUTTING UNITS

ILLUSTRATED DRAWING Roller Assembly



TT-03189 CUTTING UNITS

Roller Assembly

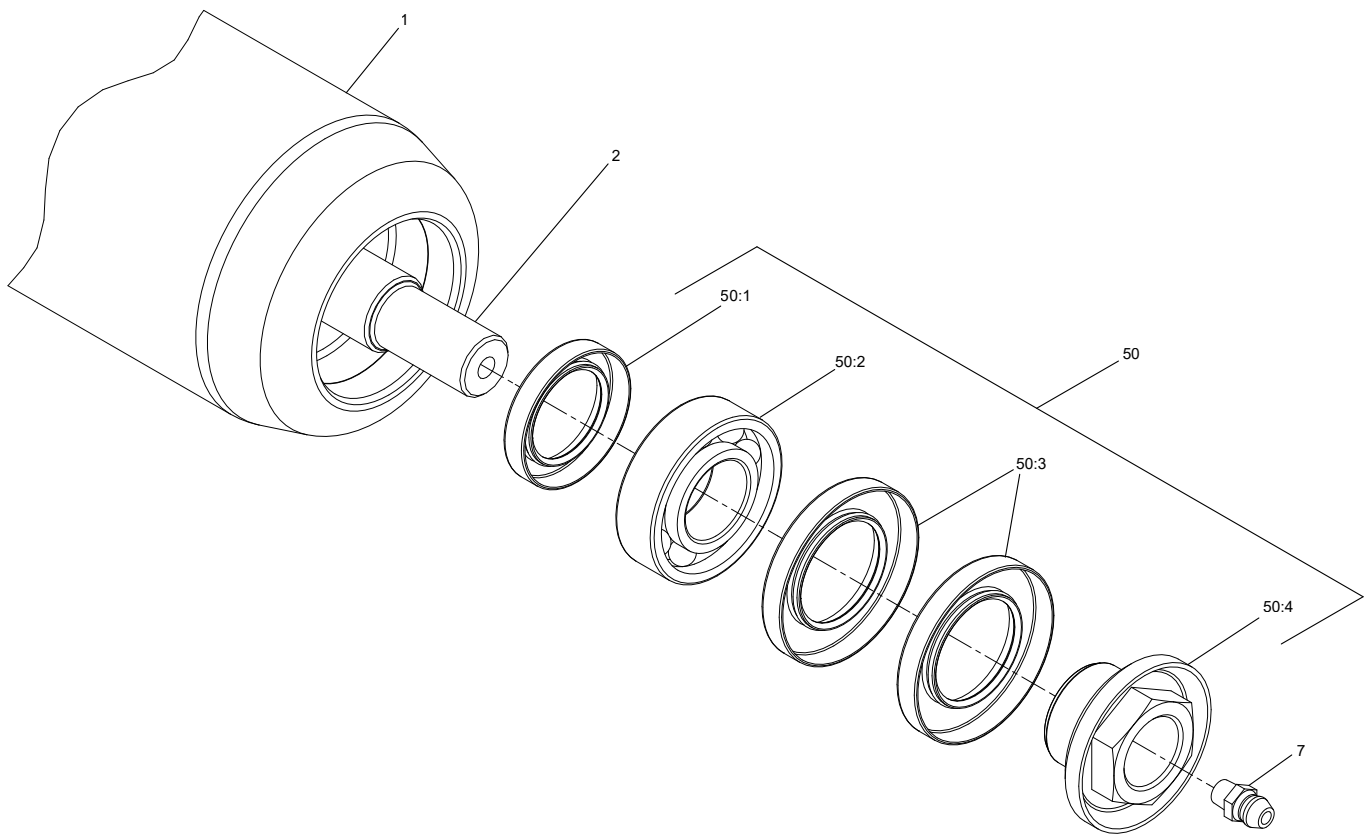
REF.	PART NO.	DESCRIPTION	QTY.
1*	TT-137-6118	Short Rear Roller ASM (3IN DIA) (27IN) (Not Illustrated) (Optional Equipment)	1
1	TT-137-6120	Long Rear Roller ASM (3IN DIA) (27IN)	1
1*	TT-137-6123	Long Rear Roller ASM (2.5IN DIA) (27IN) (Not Illustrated) (Optional Equipment)	1
2	TT-104-8300	Nut-HF, NI, 5/16-18	4
3	TT-119-0626	Shim-Roller (0.25)	12
4*	TT-140-5530	Shim-Roller (.01IN) (Optional Equipment)	2
5	TT-106-3924	Bracket-Roller, Rear	2
6	TT-3230-26	Screw-CARR, .312-18 x 3.00, GR5	4
7	TT-117-0960	Plastic Wiehle Roller ASM (27IN)	1
7*	TT-119-0630	Plastic Shoulder Wiehle Front Roller ASM (27IN) (Not Illustrated) (Optional Equipment)	1
7*	TT-137-6121	Full Front Roller ASM (27IN) (Not Illustrated) (Optional Equipment)	1
8*	TT-119-0649	Trim/HD Collar Kit (Optional Equipment)	1
8:2	TT-119-1604	Collar-Trim/HD	2
8:3	TT-104-1835	Screw	2
9	TT-32128-20	Nut-HF, 5/16-18	2
10	TT-322-16	Screw-HH, .312-18 x 1.125, GR5	2
11	TT-3231-4	Screw-CARR, 3/8-16 x 1.500, GR5	2
12	TT-120-0404	Bracket-High HOC (LH)	1
12	TT-120-0405	Bracket-High HOC (RH)	1
13	TT-104-8301	Nut-HF, NI, 3/8-16	4
14	TT-48-9220	Washer-Plain, 3/8	4
15	TT-140-5522	Screw-HHF 5/8, Patch, 3/8-16 x 3.88, GR5	2
16	TT-94-6936	Washer-Hardened	4
17	TT-133-7570	Nut-Flange, NI, 3/8-16, 5/8 Hex	2
50*	TT-137-0890	High Height-of-Cut Assembly (F18 & Up) (Not Illustrated) (Optional Equipment)	1

* Optional Equipment

TT-03189 CUTTING UNITS

ILLUSTRATED DRAWING

Long Rear Roller Assembly (3IN DIA)(27IN) #TT-137-6120



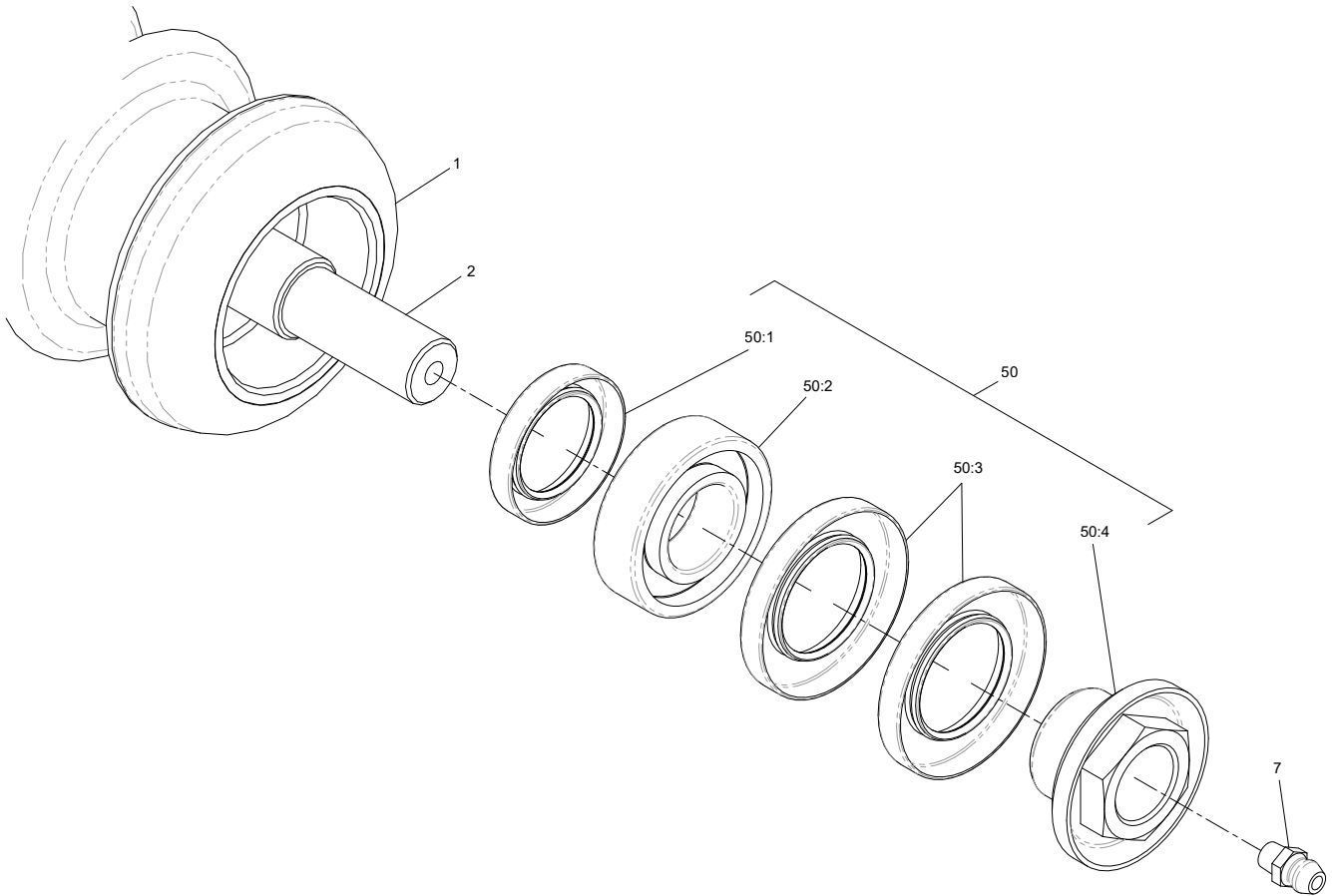
TT-03189 CUTTING UNITS

Long Rear Roller Assembly (3IN DIA)(27IN) #TT-137-6120

REF.	PART NO.	DESCRIPTION	QTY.
1	TT-137-6119	Tube-Roller 3.0IN DIA X 28IN.	1
2	TT-112-8918	.Shaft-Long, Rear Roller.	1
7	TT-302-5	.Fitting-Grease	2
50	TT-114-5430	.Roller Rebuild Kit.	1
50:1	TT-114-3717	.Seal-Oil	2
50:2	TT-112-5290	.Bearing-Steel, Stainless	2
50:3	TT-112-7494	.Seal	4
50:4	TT-114-5411	.Nut-Lock, Bearing	2

TT-03189 CUTTING UNITS

ILLUSTRATED DRAWING Wiehle Roller Assembly (27IN) #TT-117-0960



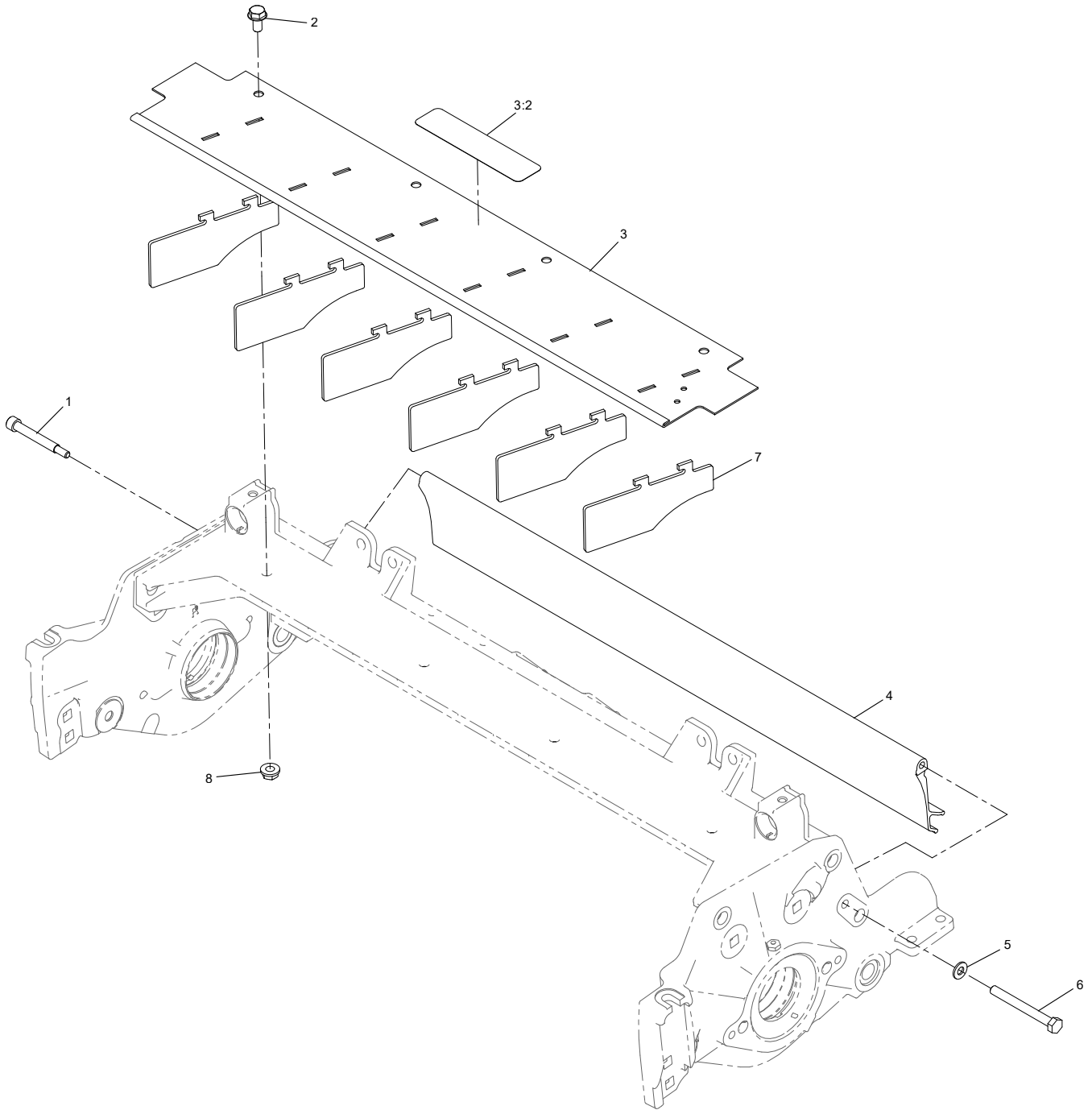
TT-03189 CUTTING UNITS

Wiehle Roller Assembly (27IN) #TT-117-0960

REF.	PART NO.	DESCRIPTION	QTY.
1	TT-117-0959	Roller-Wiehle, Plastic	1
2	TT-117-0957	Shaft-Roller, Wiehle	1
7	TT-302-5	Fitting-Grease	2
50	TT-114-5430	Roller Rebuild Kit	1
50:1	TT-114-3717	Seal-Oil	2
50:2	TT-112-5290	Bearing-Steel, Stainless	2
50:3	TT-112-7494	Seal	4
50:4	TT-114-5411	Nut-Lock, Bearing	2

TT-03189 CUTTING UNITS

ILLUSTRATED DRAWING Shield Assembly



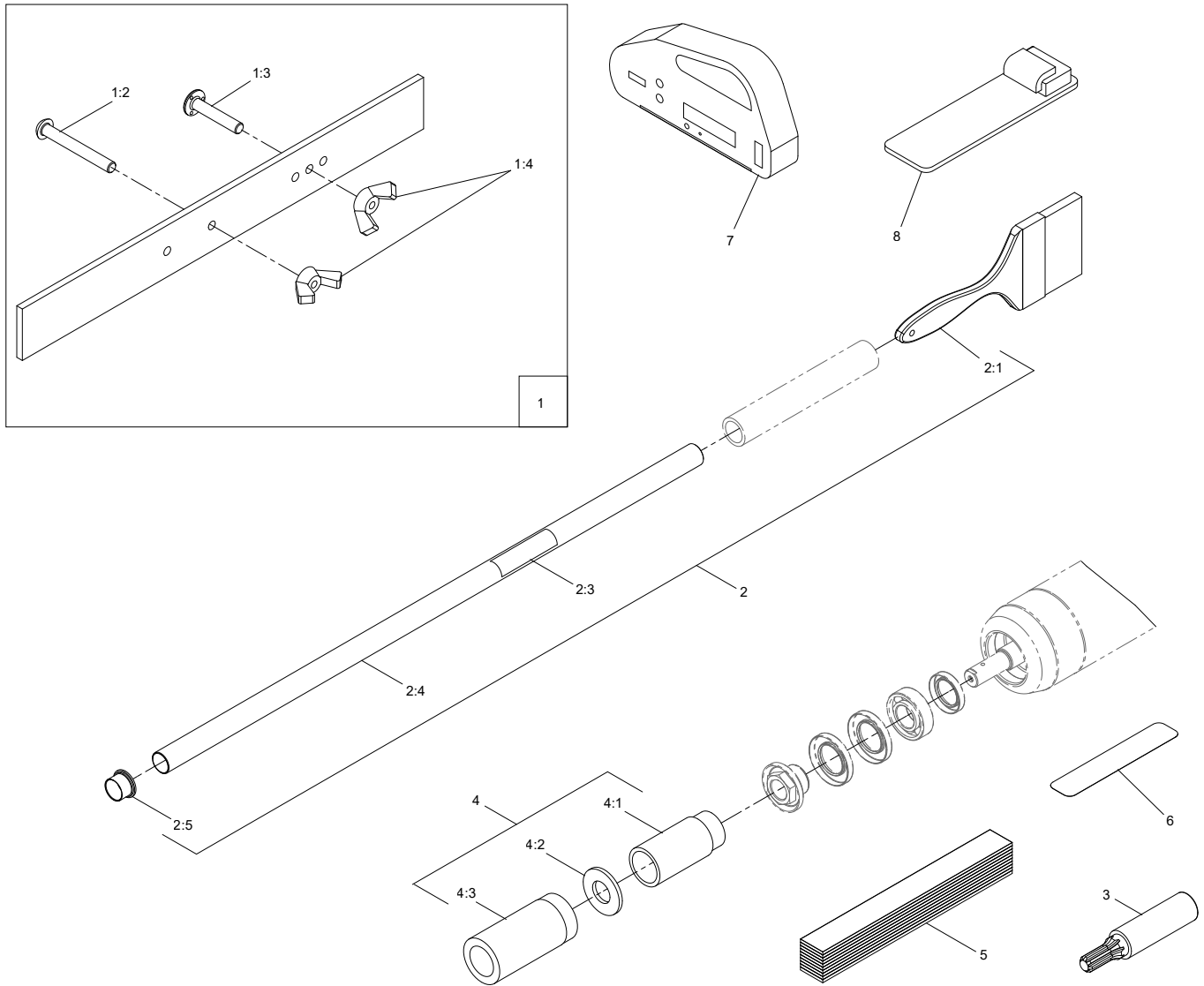
TT-03189 CUTTING UNITS

Shield Assembly

REF.	PART NO.	DESCRIPTION	QTY.
1	TT-107-7773	Screw-HSH, 5/16-18 x 2.56	1
2	TT-3234-7	Screw-HHF, 5/16-18 x .613, GR2	4
3	TT-112-8942	Front Grass Shield ASM	1
3:2	TT-137-9706	Decal-Warning	1
4	TT-125-1997	Shield-Grass, Rear	1
5	TT-3256-74	Washer-Flat, 0.312 x 0.625 x 0.063	1
6	TT-322-14	Screw-HH, 5/16-18 x 3.00, GR5	1
7	TT-110-1706	Deflector	6
8	TT-32128-20	Nut-HF, 5/16-18	4

TT-03189 CUTTING UNITS

ILLUSTRATED DRAWING Optional Tool Assembly



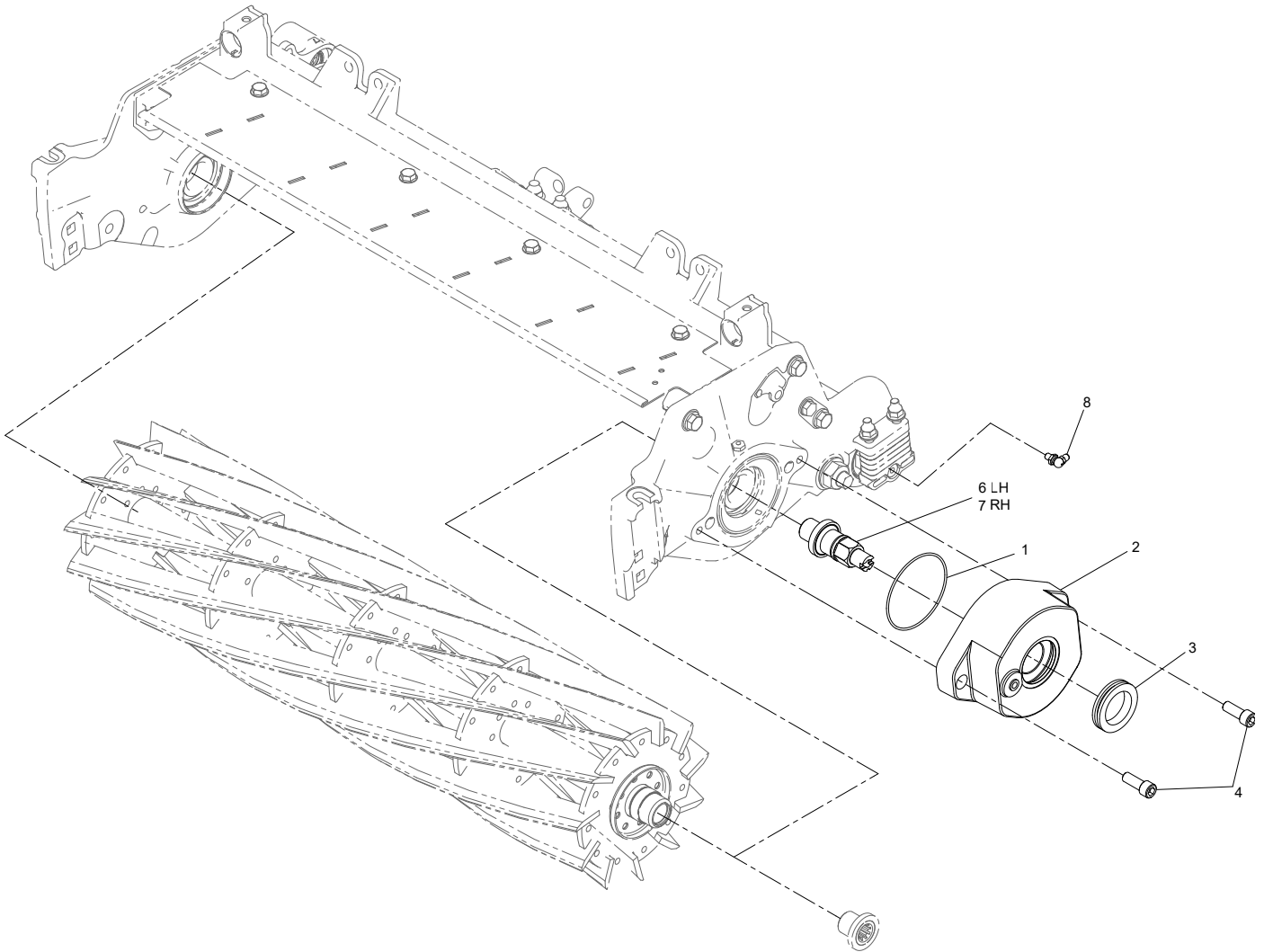
TT-03189 CUTTING UNITS

Optional Tool Assembly

REF.	PART NO.	DESCRIPTION	QTY.
1	TT-108-6715	Gauge Bar ASM	1
1:2	TT-32122-54	Screw-Head, Truss	2
1:3	TT-108-6714	Stud-Weld	1
1:4	TT-32103-3	Nut-Wing	2
2	TT-29-9100	Brush And Handle ASM	1
2:1	TT-36-4310	Brush	1
2:3	TT-98-3206	Decal	1
2:4	TT-29-9080	Handle	1
2:5	TT-2410-18	Cap-Plastic	1
3	72.0060	Tool, Reel Drive Adaptor	1
4	TT-115-0803	Rm/Gm Roller Rebuild Tool Kit	1
4:1	TT-115-0852	Tool-Inner Seal	1
4:2	TT-107-8133	Washer-Flat	1
4:3	TT-115-0853	Tool-Bearing/Outer Seal	1
5	TT-125-5610	Paper-Reel, Toro (10 Pack)	1
6	TT-140-5531	Shim-Toro Reel (.002In)	1
7	TT-131-6828	Indicator-Angle	1
8	TT-131-6829	Mount-Indicator, Angle	1
9	TT-137-0924	Tool-Hand TAP 7/8-16 (Rm DPA Reel) (Not Illustrated)	1
10	TT-137-0925	Tool-Hand TAP 7/8-16 , LH (Rm DPA Reel) (Not Illustrated)	1
11	TT-TOR510880	Tool, Bedknife Screw (Not Illustrated)	1
12	TT-TOR6023	Measuring Tape (Not Illustrated)	1
13	TT-04399	Turf Evaluator (Not Illustrated)	1

TT-03243 REAR BRUSH KIT

ILLUSTRATED DRAWING Drive Assembly



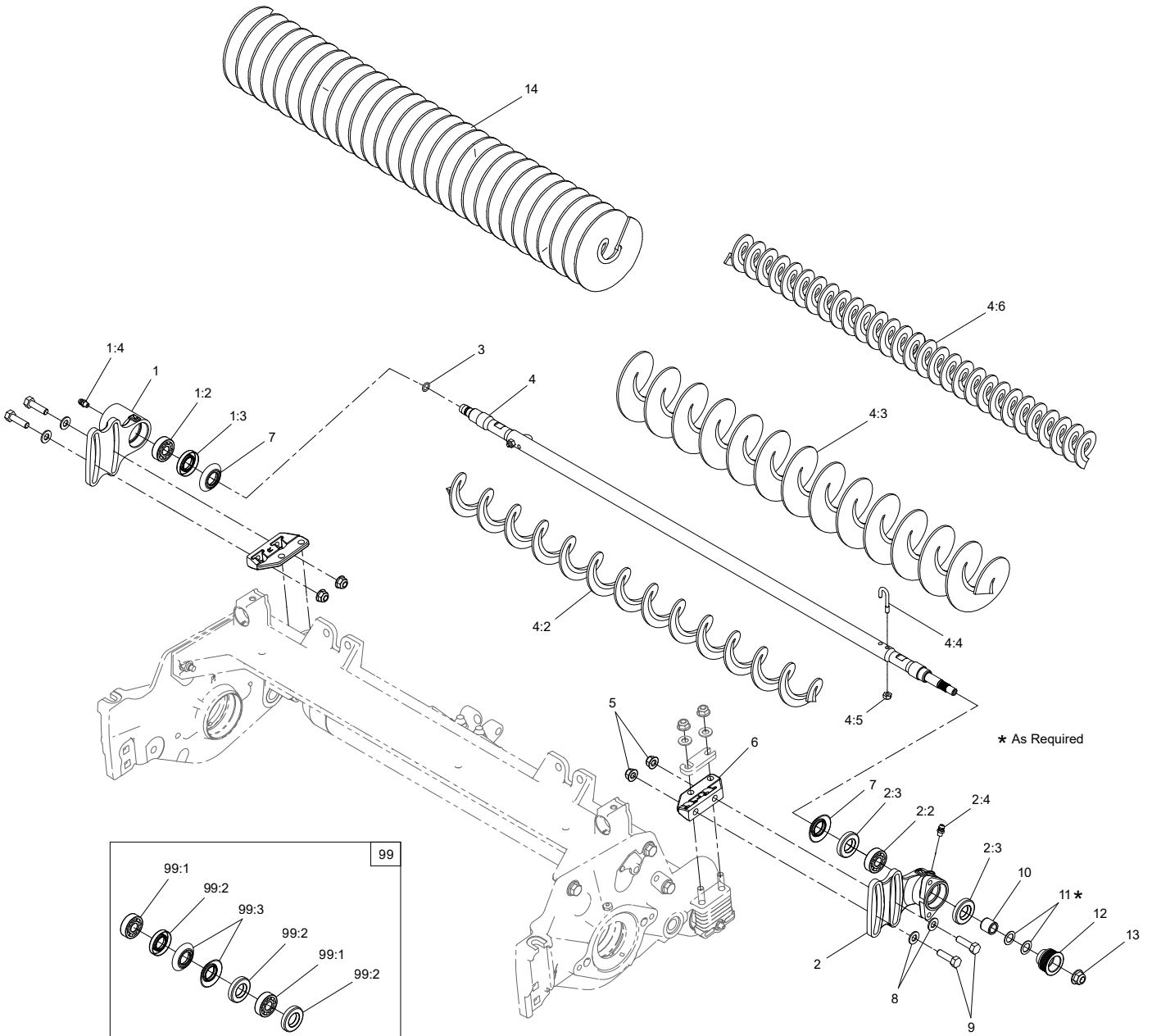
TT-03243 REAR BRUSH KIT

Drive Assembly

REF.	PART NO.	DESCRIPTION	QTY.
1	TT-112-6967	O-Ring	1
2	TT-108-4203	Housing-Bearing, Drive	1
3	TT-240-7	Grommet-Rubber	1
4	TT-3274-7	Screw-HSH, 3/8-16 x 1.0	2
6	TT-125-2788	Shaft-Drive, LH	1
7	TT-125-2787	Shaft-Drive, RH	1
8	TT-104-1843	Fitting-Grease, 90 DEG	1

TT-03243 REAR BRUSH KIT

ILLUSTRATED DRAWING Roller Brush Assembly



TT-03243 REAR BRUSH KIT

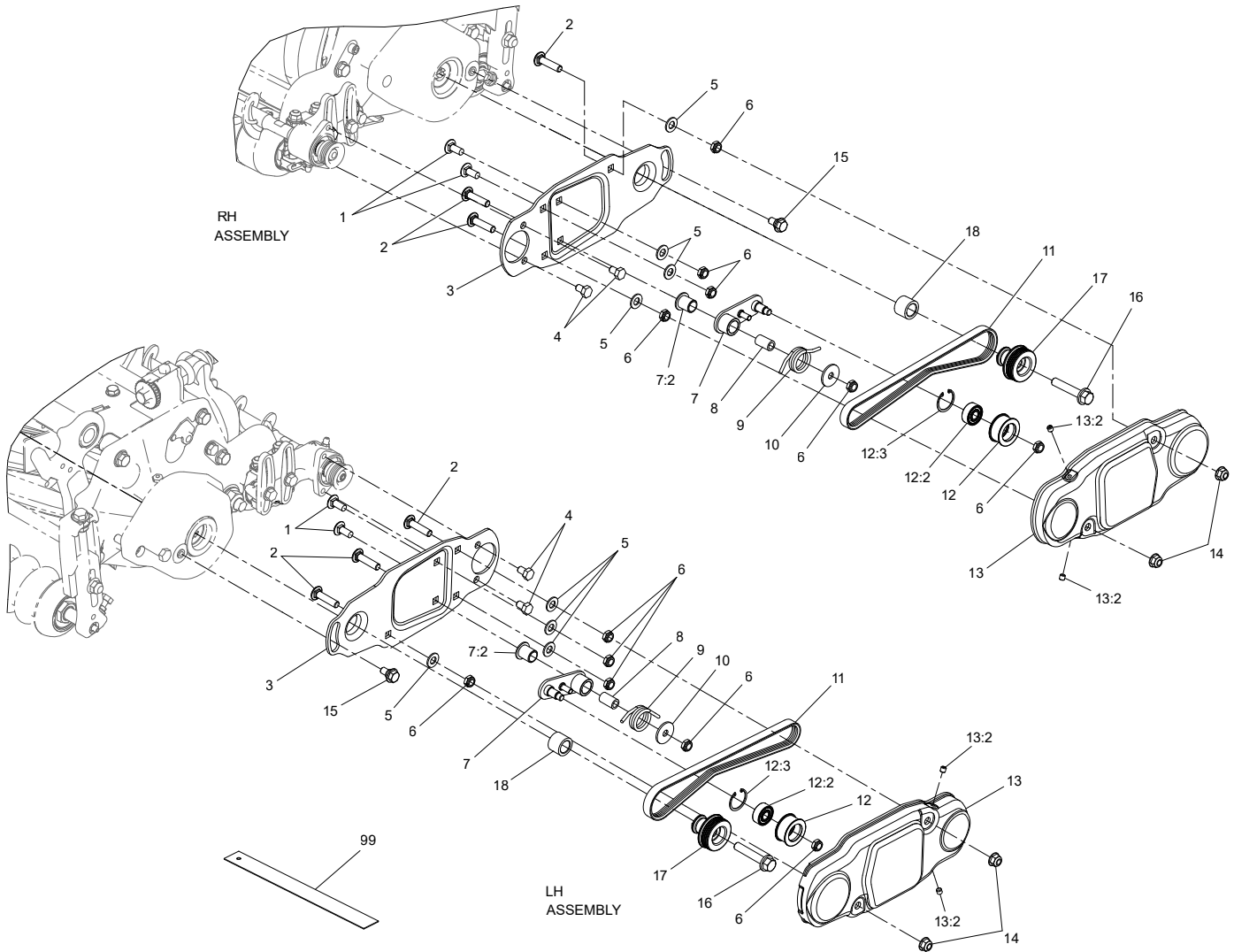
Roller Brush Assembly

REF.	PART NO.	DESCRIPTION	QTY.
1	TT-127-7134	Non Driven Bearing Housing ASM	1
1:2	TT-95-0707	Bearing-Aligning, Self	1
1:3	TT-106-8530	Seal-Grease	1
1:4	TT-302-5	Fitting-Grease	1
2	TT-127-7138	Drive Bearing Housing ASM	1
2:2	TT-95-0707	Bearing-Aligning, Self	1
2:3	TT-106-8530	Seal-Grease	2
2:4	TT-302-5	Fitting-Grease	1
3	TT-107-8844	O-Ring	1
4	TT-133-8231	Roller Brush ASM	1
4:2	TT-115-0813	Brush-Roller	1
4:3*	TT-115-0838	Brush-Roller (High HOC) (Optional Equipment)	1
4:4	TT-105-9632	Bolt-J	2
4:5	TT-3296-2	Nut-Lock, NI	2
4:6*	TT-137-0844	Brush-Roller, Rear (HD) (Optional Equipment)	1
5	TT-104-8300	Nut-HF, NI, 5/16-18	4
6	TT-108-4480	Bracket-Mounting	2
7	TT-108-4172	Seal-Excluder	2
8	TT-94-6936	Washer-Hardened	4
9	TT-322-16	Screw-HH	4
10	TT-127-7139	Spacer-Pulley, Driven	1
11	TT-112-6957	Washer-Hardened	2
12	TT-115-0821	Pulley-Driven, RRB (5-Rib)	1
13	TT-104-8301	Nut-HF, NI, 3/8-16	1
14*	TT-140-5514	Brush-Roller (27IN) (HD - High HOC) (Optional Equipment)	1
99*	TT-131-3233	Groomer/RRB Seal Kit (Optional Equipment)	1
99:1	TT-95-0707	Bearing-Aligning, Self	2
99:2	TT-106-8530	Seal-Grease	3
99:3	TT-108-4172	Seal-Excluder	2

* Optional Equipment

TT-03243 REAR BRUSH KIT

ILLUSTRATED DRAWING Plate Assembly



TT-03243 REAR BRUSH KIT

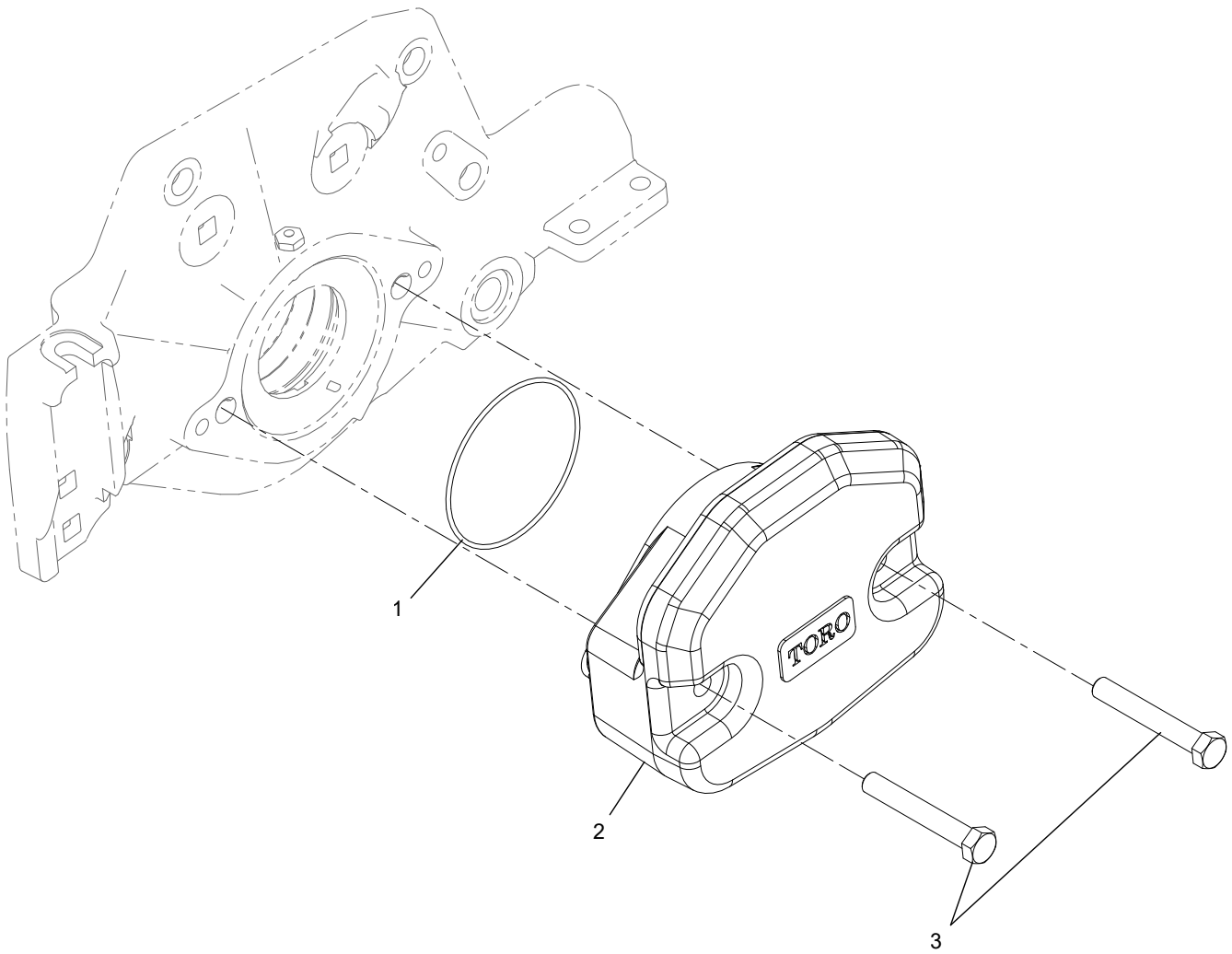
Plate Assembly

REF.	PART NO.	DESCRIPTION	QTY.
1	TT-3230-23	Screw-CARR, 5/16-18 x 3/4, GR5	2
2	TT-112-6950	Screw-CARR, 0.312-18 x 1.375, GR5	3
3	TT-115-0814-03	Plate-Brush, 7 Inch	1
4	TT-322-1	Screw-HH, 5/16-18 x 0.500, GR5	2
5	TT-3256-45	Washer-Flat, 0.375 x 0.734	4
6	TT-3296-47	Nut-Lock, NI, 5/16-18	6
7	TT-115-0834	Idler Arm ASM	1
7:2	TT-125-8775	Bushing-Flange	1
8	TT-115-0826	Spacer-Idler	1
9	TT-115-0839	Spring-Idler	1
10	TT-5-4460	Washer-Pivot	1
11	TT-115-0828	Belt-Brush, 7 Inch	1
12	TT-114-9397	Idler Pulley ASM	1
12:2	TT-110-1701	Bearing	1
12:3	TT-32151-60	Ring-Snap	1
13	TT-115-0830	Brush Cover ASM	1
13:2	TT-108-0989	Screw-Set	2
14	TT-104-8300	Nut-HF, NI, 5/16-18	2
15	TT-27-0411	Screw-Shoulder	1
16	TT-66-9302	Screw-HHF, Whiz, 3/8-16 x 2	1
17	TT-115-0820	Pulley-Driver, 5-Rib, 7-Inch RRB	1
18	TT-108-4477	Spacer	1
99*	TT-114-5446	Tool-Alignment, RRN Belt (Optional Equipment)	1

* Optional Equipment

TT-03244 END WEIGHT KIT

ILLUSTRATED DRAWING End Weight Kit



TT-03244 END WEIGHT KIT

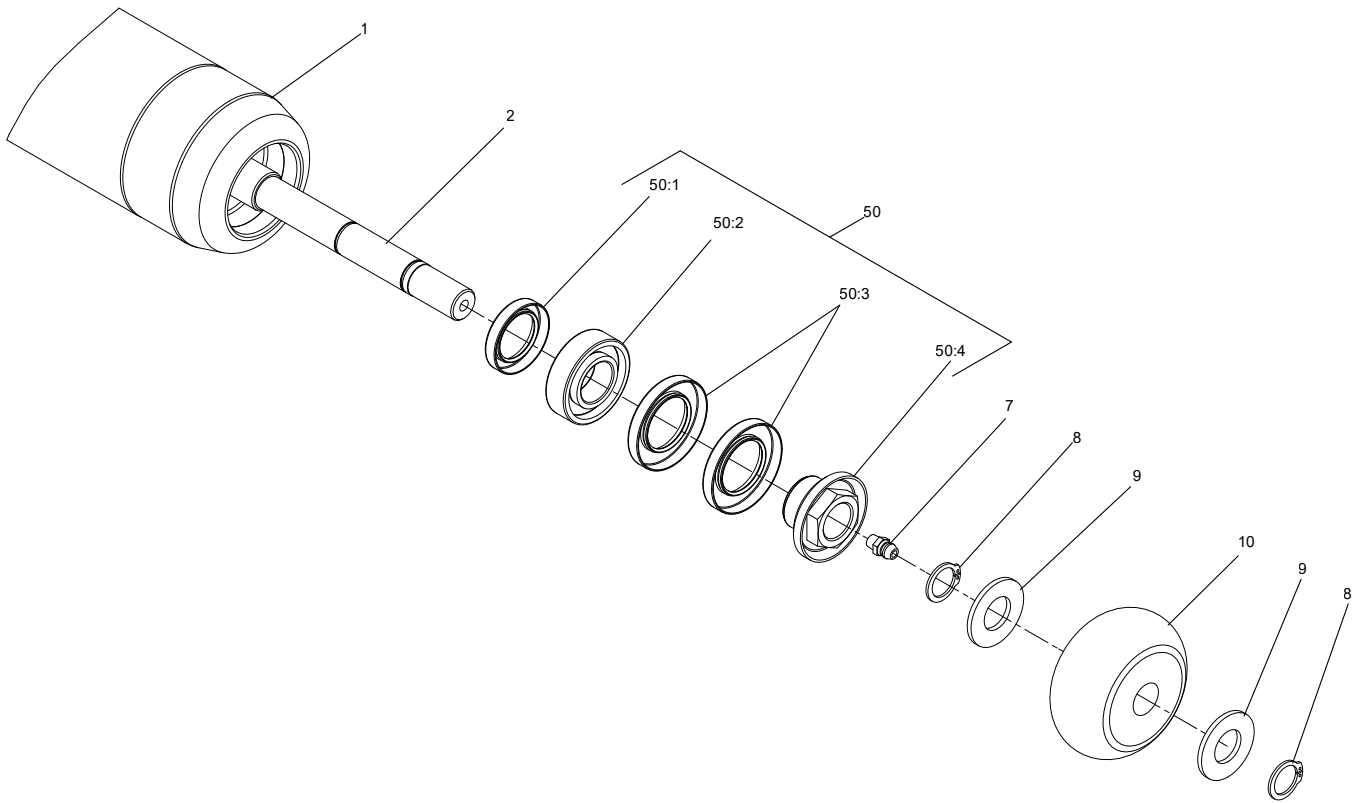
End Weight Kit

REF.	PART NO.	DESCRIPTION	QTY.
1	TT-112-6967	O-Ring, 2.992IN X 0.079IN	3
2	TT-119-0641-01	End Weight, 7IN.	3
3	TT-323-12	Screw, Hex HD	6

ACCESSORIES

ILLUSTRATED DRAWING

Optional Short Rear Roller Assembly (3IN DIA) (27IN) #TT-137-6118



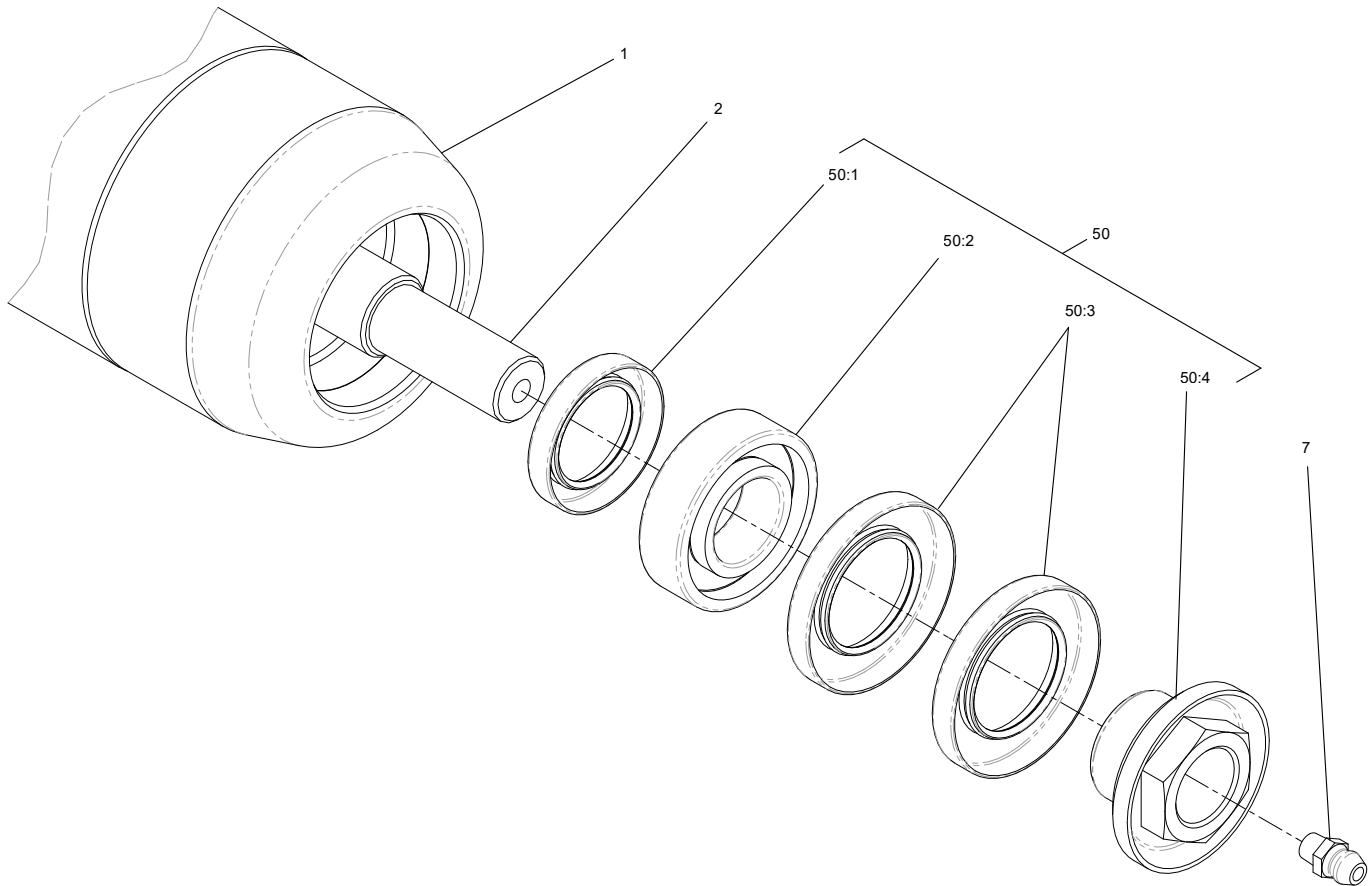
ACCESSORIES

Optional Short Rear Roller Assembly (3IN DIA) (27IN) #TT-137-6118

REF.	PART NO.	DESCRIPTION	QTY.
1	TT-137-6115	Tube-Roller 3.0.IN DIA x 20.5IN	1
2	TT-119-4287	Shaft-Rear Roller, 27 Inch	1
7	TT-302-5	Fitting-Grease	2
8	TT-32151-62	Ring-Retaining	4
9	TT-119-1868	Washer	4
10	TT-119-4276	Roller-Tipper	2
50	TT-114-5430	Roller Rebuild Kit	1
50:1	TT-114-3717	Seal-Oil	2
50:2	TT-112-5290	Bearing-Steel, Stainless	2
50:3	TT-112-7494	Seal, Bearing Nut-Lock	4
50:4	TT-114-5411	Nut-Lock, Bearing	2

ACCESSORIES

ILLUSTRATED DRAWING Optional Full Front Roller Assembly (27IN) #TT-137-6121



ACCESSORIES

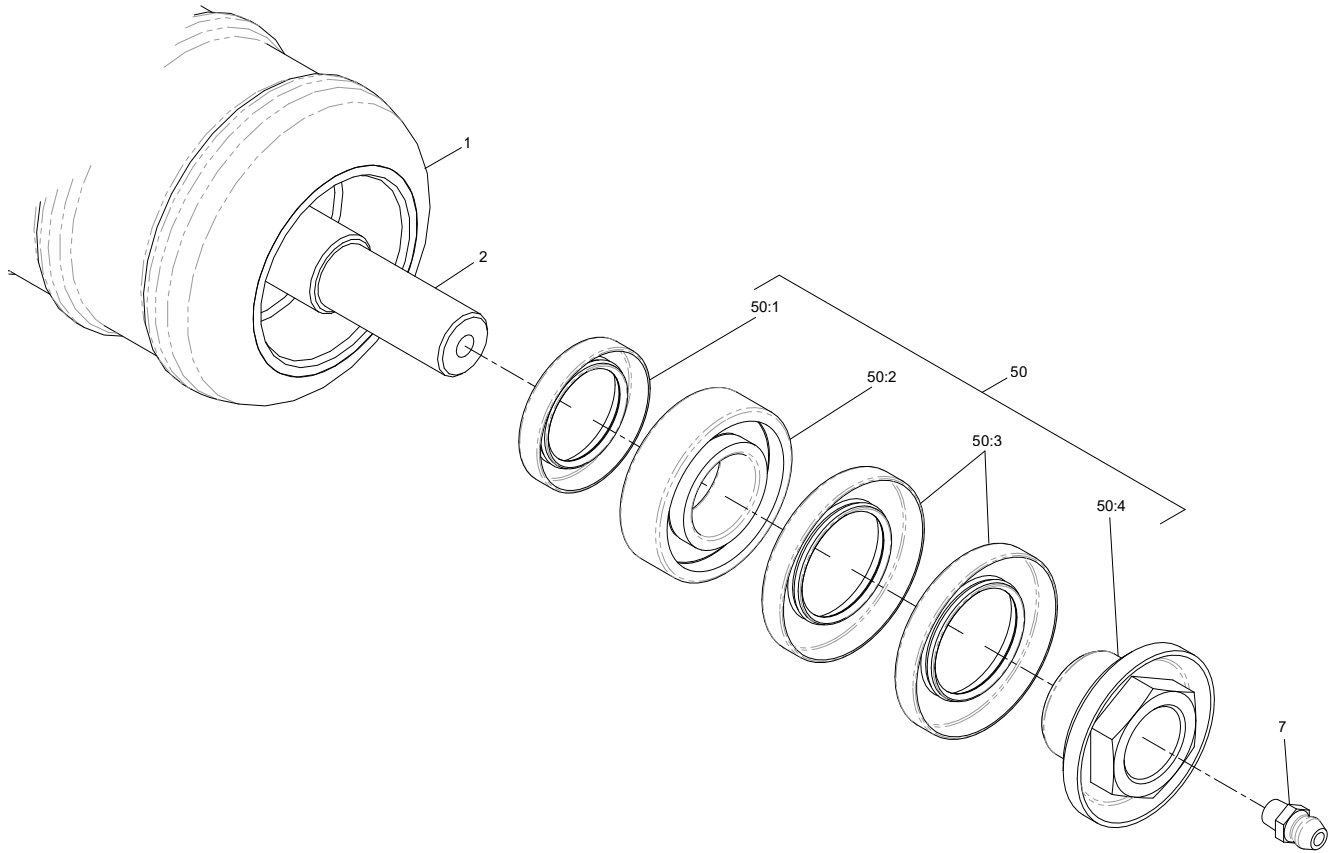
Optional Full Front Roller Assembly (27IN) #TT-137-6121

REF.	PART NO.	DESCRIPTION	QTY.
1	TT-137-6119	Tube Roller 3.0IN DIA x 28IN	1
2	TT-117-0957	Shaft-Roller, Wiehle	1
7	TT-302-5	Fitting-Grease	2
50	TT-114-5430	Roller Rebuild Kit	1
50:1	TT-114-3717	Seal-Oil	2
50:2	TT-112-5290	Bearing-Steel, Stainless	2
50:3	TT-112-7494	Seal, Bearing Nut-Lock	4
50:4	TT-114-5411	Nut-Lock, Bearing	2

ACCESSORIES

ILLUSTRATED DRAWING

Optional Shouldered Wiehle Front Roller Assembly (27IN) #TT-119-0630



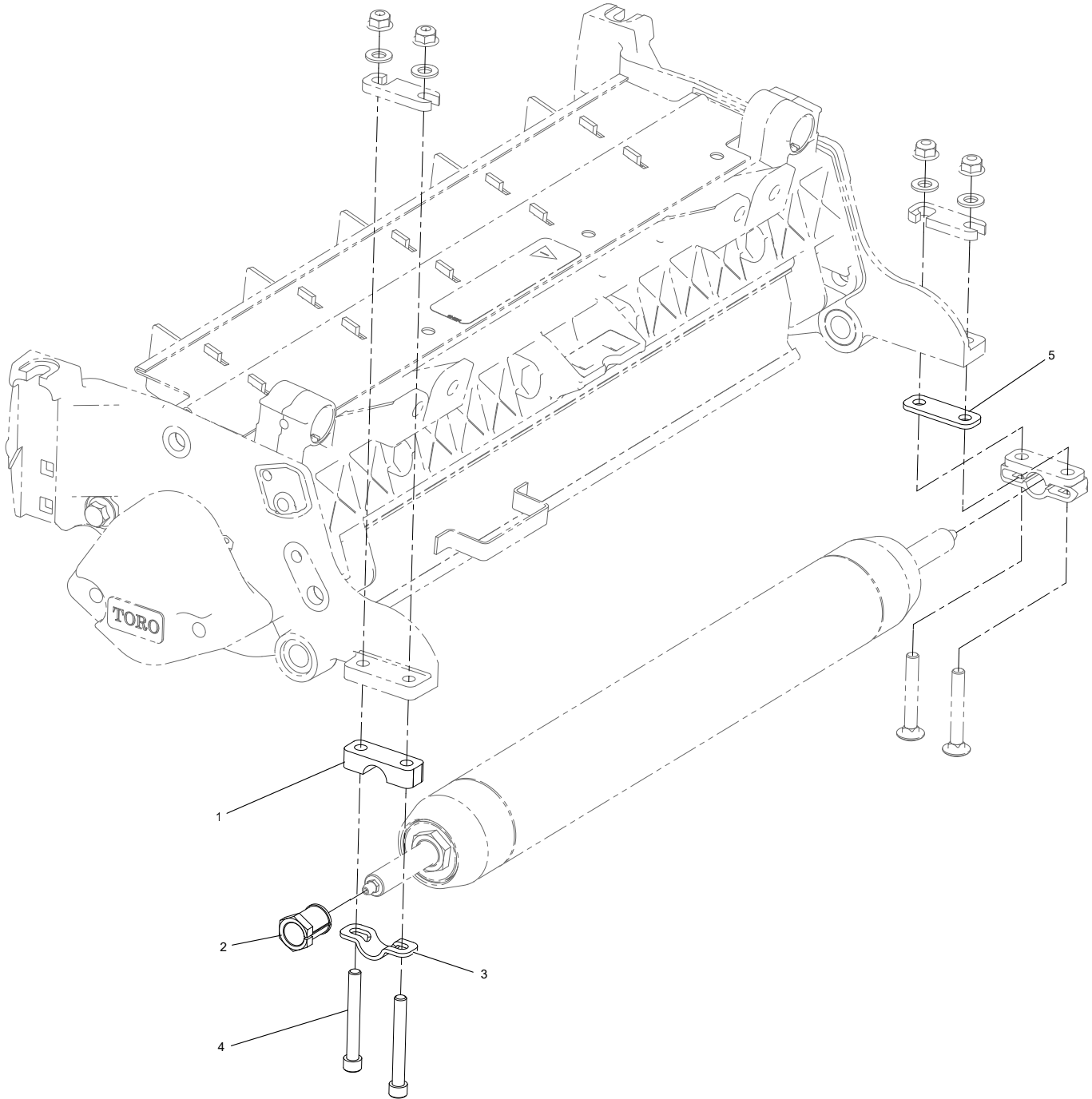
ACCESSORIES

Optional Shouldered Wiehle Front Roller Assembly (27IN) #TT-119-0630

REF.	PART NO.	DESCRIPTION	QTY.
1	TT-119-0631	Roller-Shoulder, Plastic	1
2	TT-117-0957	Shaft-Roller, Wiehle	1
7	TT-302-5	Fitting-Grease	2
50	TT-114-5430	Roller Rebuild Kit	1
50:1	TT-114-3717	Seal-Oil	2
50:2	TT-112-5290	Bearing-Steel, Stainless	2
50:3	TT-112-7494	Seal, Bearing Nut-Lock	4
50:4	TT-114-5411	Nut-Lock, Bearing	2

ACCESSORIES

ILLUSTRATED DRAWING Rear Roller Adjustment Kit #TT-125-0570



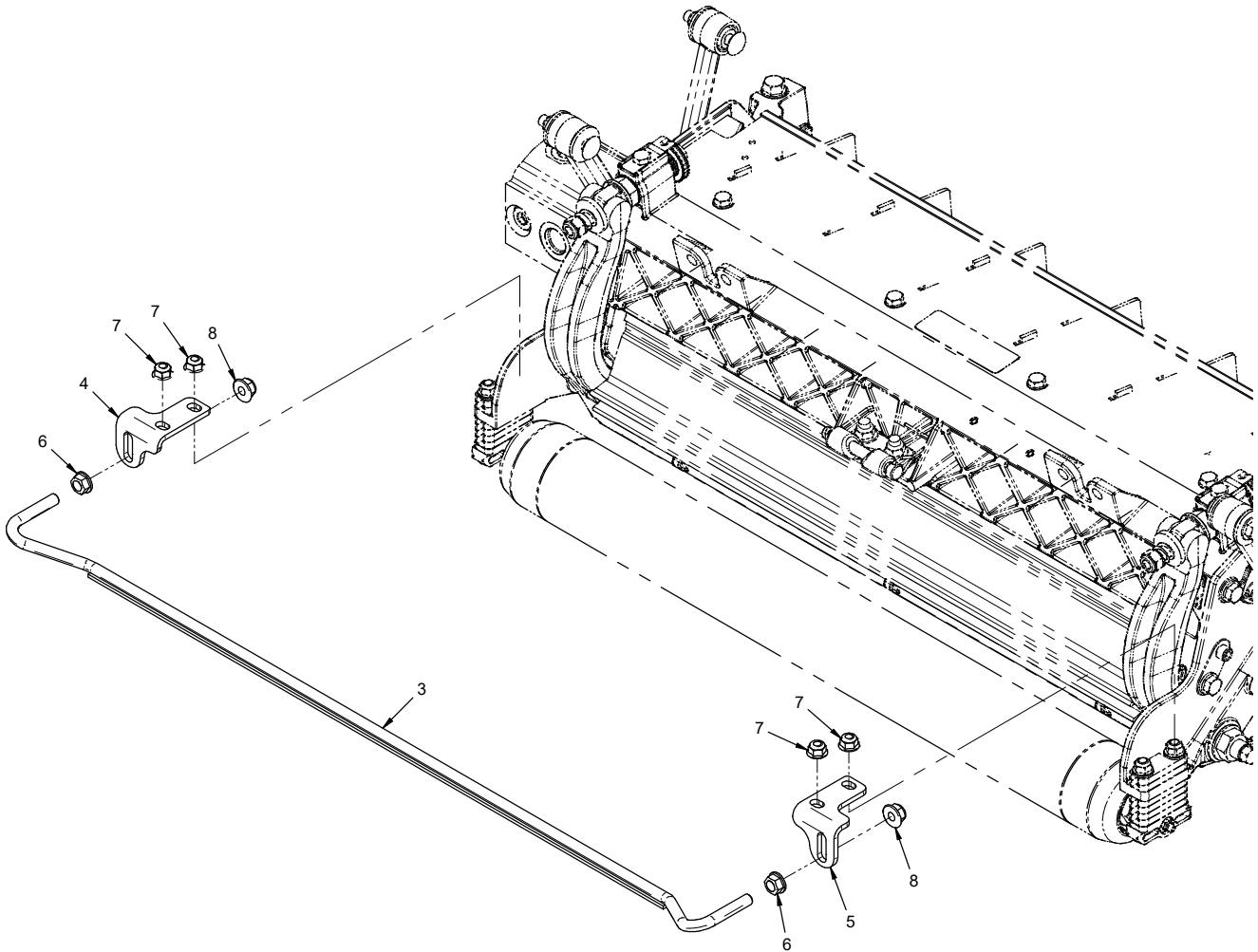
ACCESSORIES

Rear Roller Adjustment Kit #TT-125-0570

REF.	PART NO.	DESCRIPTION	QTY.
1	TT-125-0572	Spacer-Height, Roller	1
2	TT-120-9603	Adjuster-Shaft	1
3	TT-125-0573	Retainer-Shaft	1
4	TT-3274-40	Screw-HSH, 0.312-18 x 2.500	2
5	TT-125-0574	Shim-Roller - .125	1

ACCESSORIES

ILLUSTRATED DRAWING Rear Roller Scraper Kit (27IN) #TT-114-9368



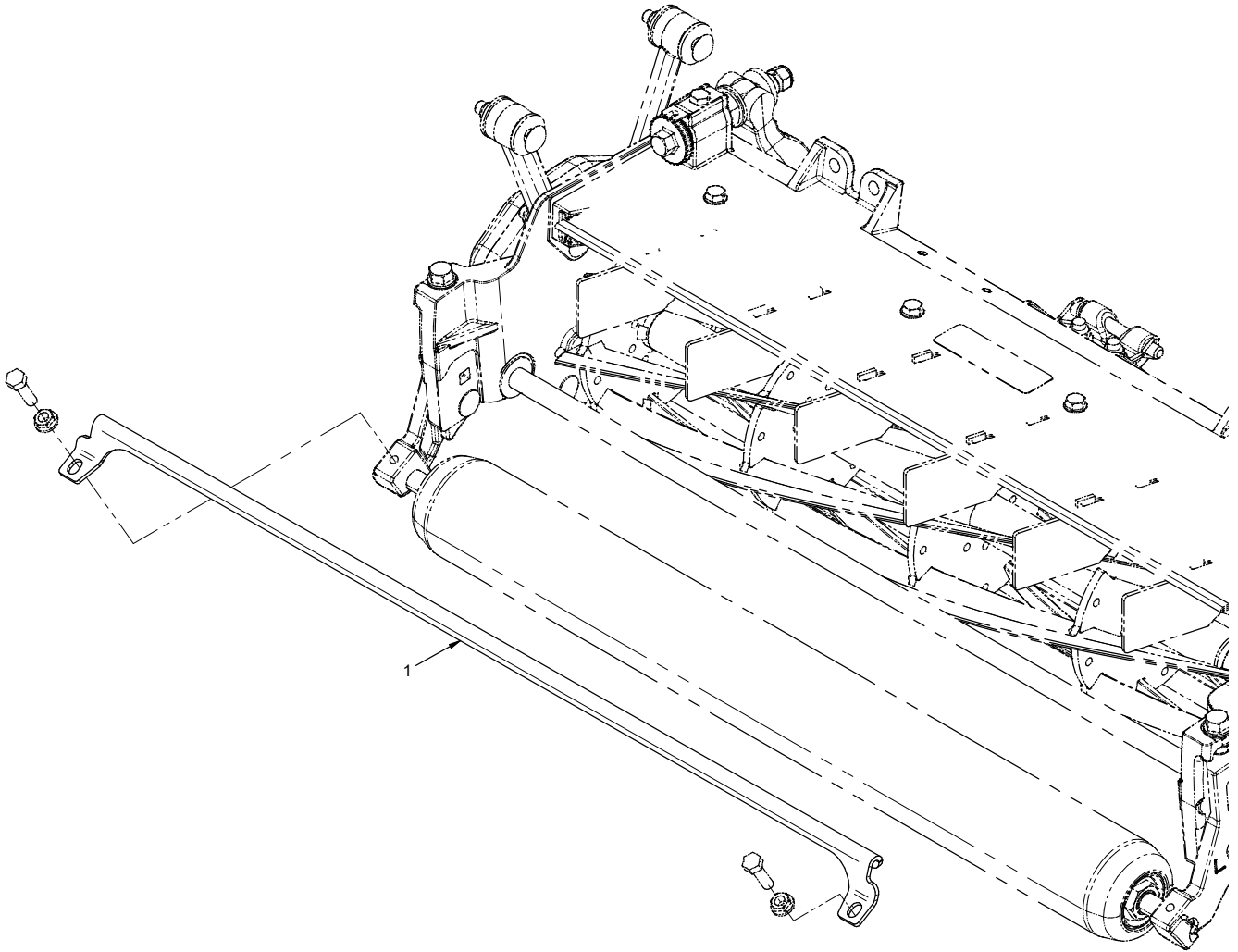
ACCESSORIES

Rear Roller Scraper Kit (27IN) #TT-114-9368

REF.	PART NO.	DESCRIPTION	QTY.
3	TT-117-0933	Scraper Rod, 27IN	1
4	TT-107-3279	Bracket-Scraper, LH.	1
5	TT-107-3281	Bracket-Scraper, RH	1
6	TT-3290-357	Nut-HHF, Whiz, 3/8-16	2
7	TT-104-8300	Nut-Flange, NI, 5/16-18	4
8	TT-104-8301	Nut-Flange, NI, 3/8-16	2

ACCESSORIES

ILLUSTRATED DRAWING Full Front Roller Scraper (27IN) #TT-114-9386-03



ACCESSORIES

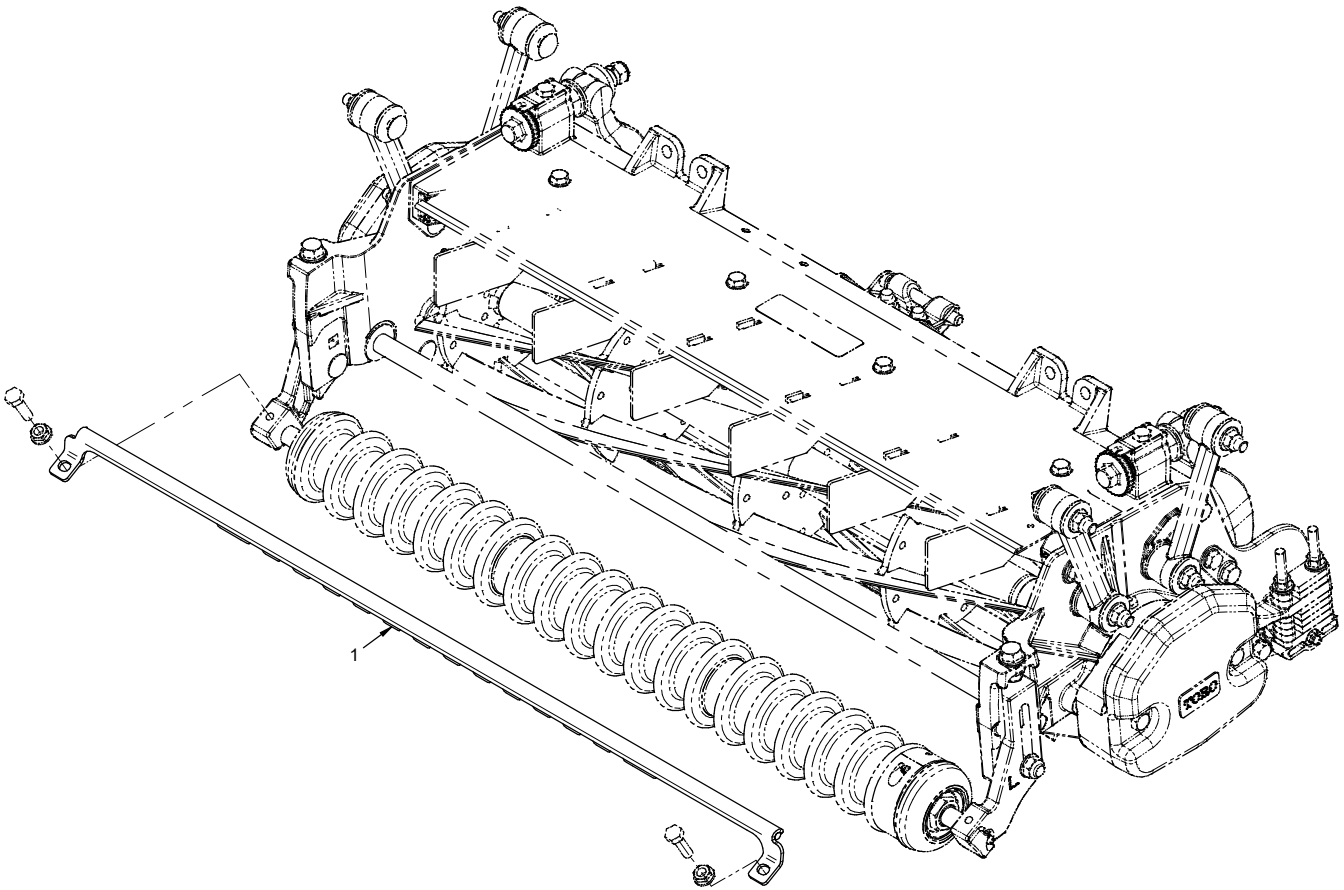
Full Front Roller Scraper (27IN) #TT-114-9386-03

REF.	PART NO.	DESCRIPTION	QTY.
1	TT-114-9386-03	Scraper, Full Front Roller (27IN)	1

ACCESSORIES

ILLUSTRATED DRAWING

Shouldered Wiehle Roller Scraper (27IN) #TT-114-9381-03



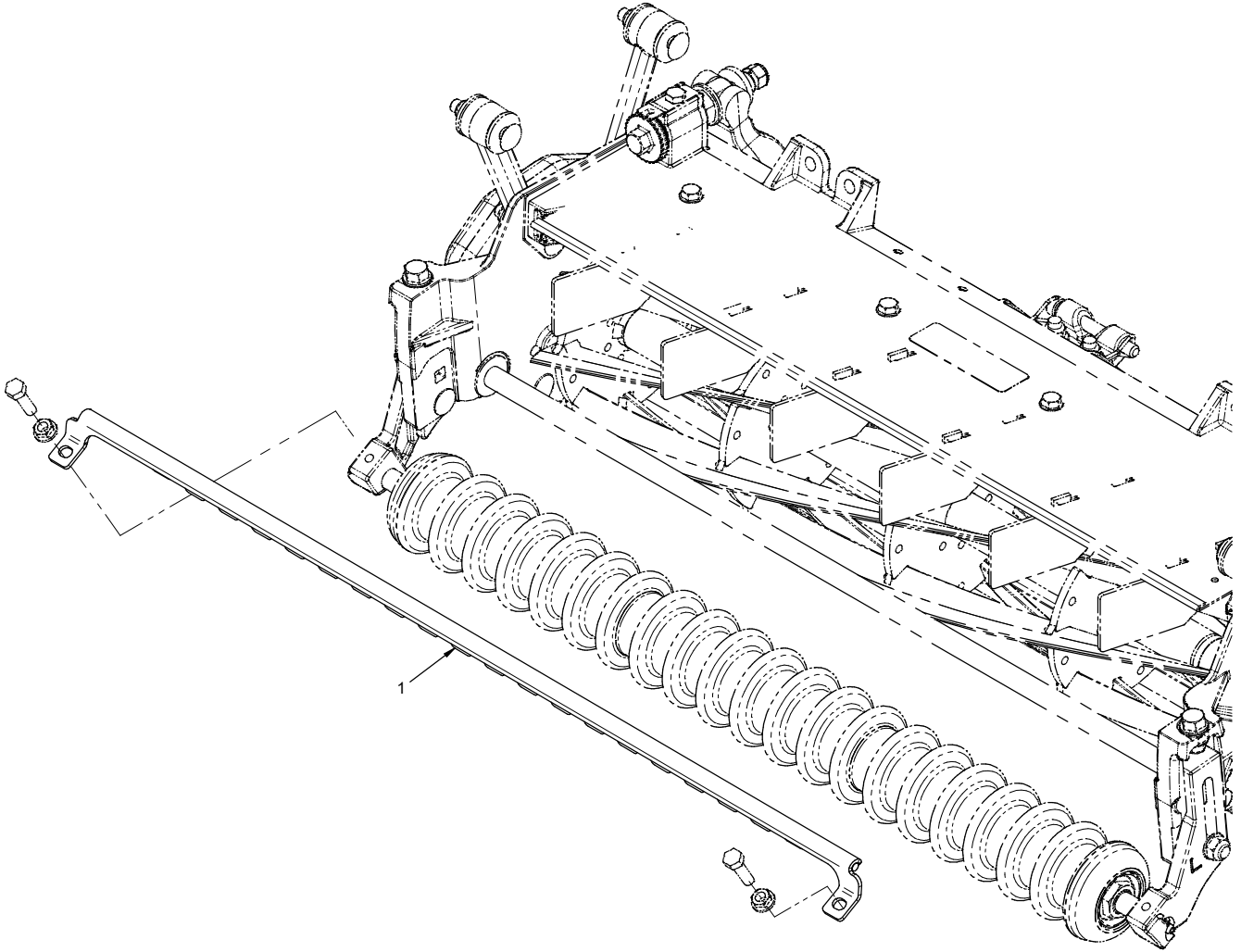
ACCESSORIES

Shouldered Wiehler Roller Scraper (27IN) #TT-114-9381-03

REF.	PART NO.	DESCRIPTION	QTY.
1	TT-114-9381-03	Scraper, Shouldered Wiehle Roller (27IN)	1

ACCESSORIES

ILLUSTRATED DRAWING Wiehle Roller Scraper (27IN) #TT-114-9372-03



ACCESSORIES

Wiehle Roller Scraper (27IN) #TT-114-9372-03

REF.	PART NO.	DESCRIPTION	QTY.
1	TT-114-9372-03	Scraper, Wiehle Roller (27IN)	1